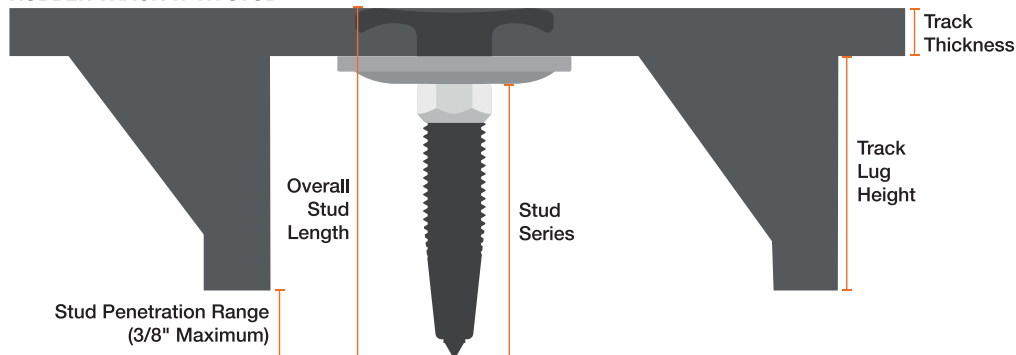


Woody's® Traction Tips

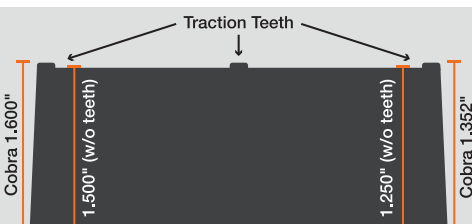
RUBBER TRACK WITH STUD



STUD SERIES & PENETRATION GUIDE

| Track Lug Height *Variable - 0-3% | Stud Penetration Range *Variable +/- .015 | Overall Stud Length 5/16" Stud | Stud Series (Woody's Part #) 5/16" Stud |
|---|--|-----------------------------------|---|
| 0.525" | .345" - .375" | 1.160" | 7500 (7mm stud) |
| 0.750" | .345" - .375" | 1.265" | 8755 |
| 0.820" | .320" - .350" | 1.340" | 9205 |
| 0.850" | .310" - .340" | 1.340" | 9205 |
| 0.880" | .270" - .300" | 1.340" | 9205 |
| 0.910" | .320" - .350" | 1.420" | 1005 |
| 0.920" | .310" - .340" | 1.420" | 1005 |
| 1.000" | .300" - .330" | 1.495" | 1075 |
| 1.100" | .320" - .350" | 1.600" | 1175 |
| 1.250" | .320" - .350" | 1.740" | 1325 |
| 1.352" | .345" - .375" | 1.740" | 1325 |
| 1.375" | .345" - .375" | 1.875" | 1450 |
| 1.500" | .345" - .375" | 1.980" | 1575 |
| 1.600" | .345" - .375" | 1.980" | 1575 |

*Woody's recommends .250" — .375" as the optimum stud penetration range. Deviating from this can result in premature track wear, tunnel damage, and/or loss of control. For sled specific recommendations, go to www.Woody'sTraction.com.



Camso's Cobra Track Lug

Camso's Cobra track has a unique lug design with 'traction teeth' that protrude about 0.100" above the lug. Available to stud are 2 lug heights: 1.352" (1.250" w/o traction teeth) & 1.600" (1.500" w/o traction teeth). On this track, Woody's recommends 3/8" max stud penetration above the most prominent lug height. With that, the 1.352" Cobra should take a 1325 series stud, and the 1.600" Cobra, a 1575 series stud. Keep in mind, the stud series is NOT the overall length.

These guides have been developed to simplify the studding process.

Examine the illustration above to understand the terminology related to studding.

After determining your track lug height, use the left chart to correspond the appropriate stud length and find your stud series.

As shown in the illustration, the stud series is the length (in inches) from the top of the backing plate to the tip of the properly torqued stud. This series is incorporated into Woody's part #.

No matter which style of stud you choose, the series # will give you the correct length.

Example: Series 1325

Woody's Part #: GDP6-1325 | SSP-1325 | GMP-1325 | etc.

Once you know the series, any style stud (appropriate for single-ply or two-ply) can be selected with that #.

Use the chart to the right to find the total qty. of studs needed based on track length & desired studs per lug.

Always be sure to use the appropriate length of carbide runners with your studs for balance & optimum control.

Consult a snowmobile dealer regarding the possibility for additional tunnel protection required.

Prior to studding, review the snowmobile manufacturer's studding recommendation in your owner's manual. You may void your warranty if their recommendations are not followed.

STUD QUANTITY GUIDE

| Track Length | # of Lugs | Total qty. studs needed for: | | |
|-------------------|-----------|------------------------------|--------------|--------------|
| | | 2 Studs/ Lug | 3 Studs/ Lug | 4 Studs/ Lug |
| 2.52 PITCH | | | | |
| 116" | 46 | 92 | 138 | 184 |
| 121" | 48 | 96 | 144 | 192 |
| 128" | 51 | 102 | 153 | 204 |
| 133.5" | 53 | 106 | 159 | 212 |
| 136" | 54 | 108 | 162 | 216 |
| 144" | 57 | 114 | 171 | 228 |
| 151" | 60 | 120 | 180 | 240 |
| 156" | 62 | 124 | 186 | 248 |
| 159" | 63 | 126 | 189 | 252 |
| 2.86 PITCH | | | | |
| 120" | 42 | 84 | 126 | 168 |
| 129" | 45 | 90 | 135 | 180 |
| 137" | 48 | 96 | 144 | 192 |
| 146" | 51 | 102 | 153 | 204 |
| 154" | 54 | 108 | 162 | 216 |
| 155" | 54 | 108 | 162 | 216 |
| 163" | 57 | 114 | 171 | 228 |
| 3.00 PITCH | | | | |
| 141" | 47 | 94 | 141 | 188 |
| 150" | 50 | 100 | 150 | 200 |
| 156" | 52 | 104 | 156 | 208 |
| 162" | 54 | 108 | 162 | 216 |
| 174" | 58 | 116 | 174 | 232 |