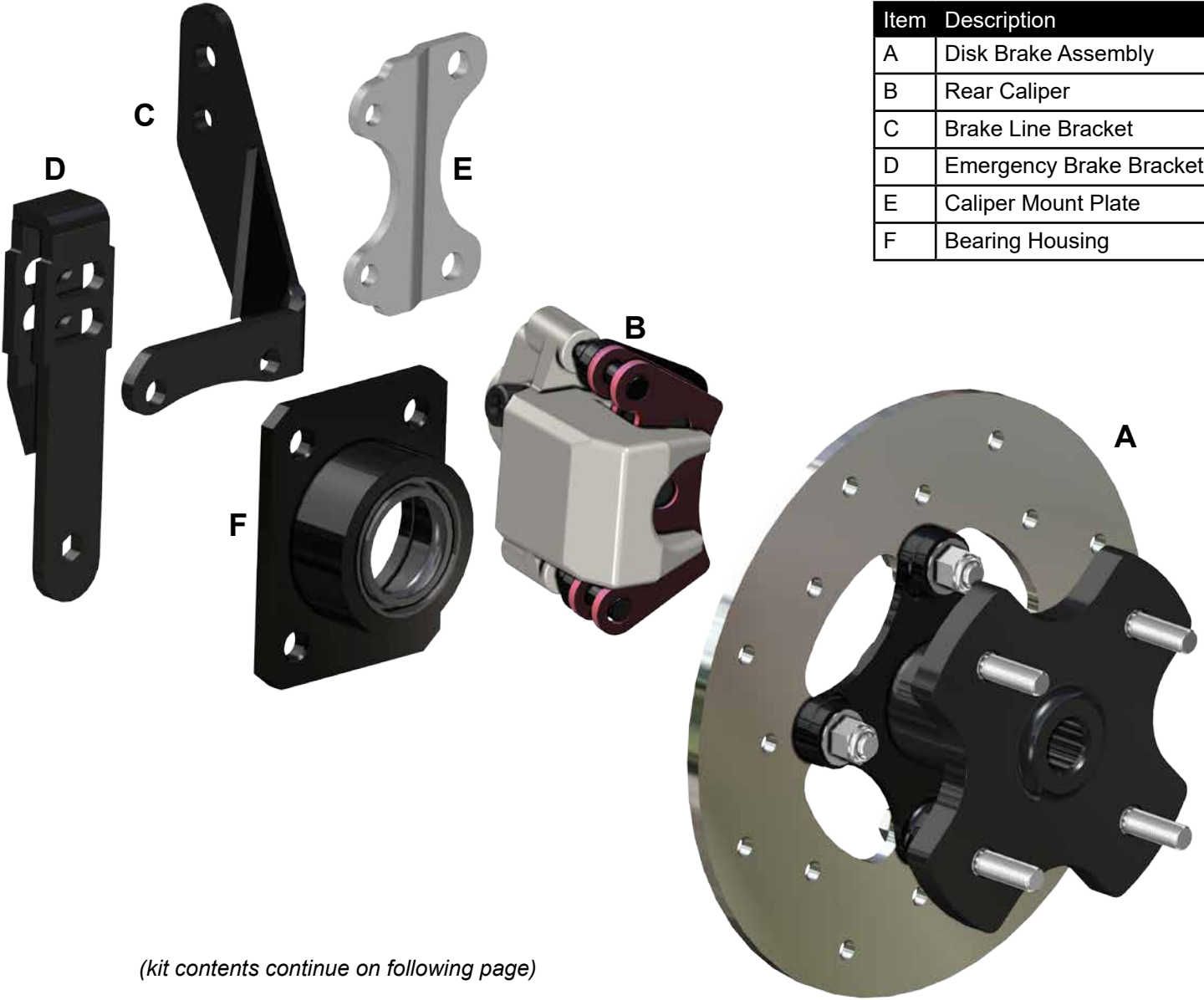


## INSTALLATION INSTRUCTIONS

### Rear Disk Brake Kit for Honda ATV's

Item	Description
A	Disk Brake Assembly
B	Rear Caliper
C	Brake Line Bracket
D	Emergency Brake Bracket
E	Caliper Mount Plate
F	Bearing Housing



(kit contents continue on following page)

#### Need help with your installation?



sales@superatv.com



www.superatv.com



1-855-743-3427



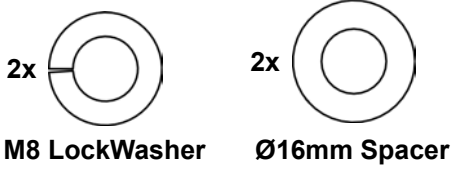
8:00am - 9:00pm EST M-Th  
8:00am - 7:00pm EST Friday  
9:00am - 2:00pm EST Saturday

Read instructions and view illustrations before beginning.

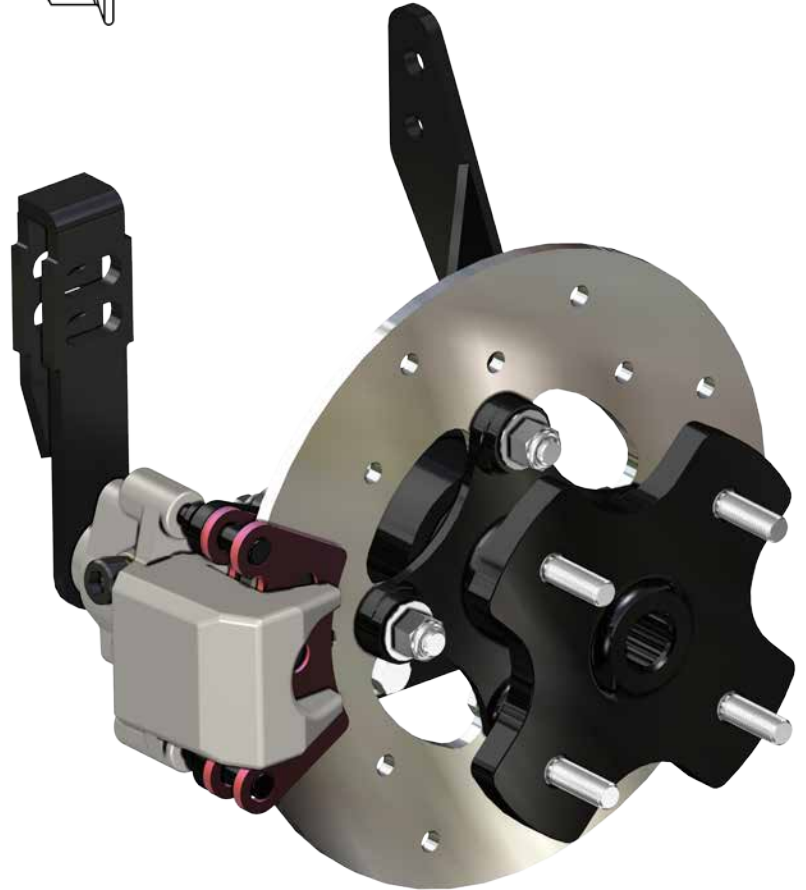
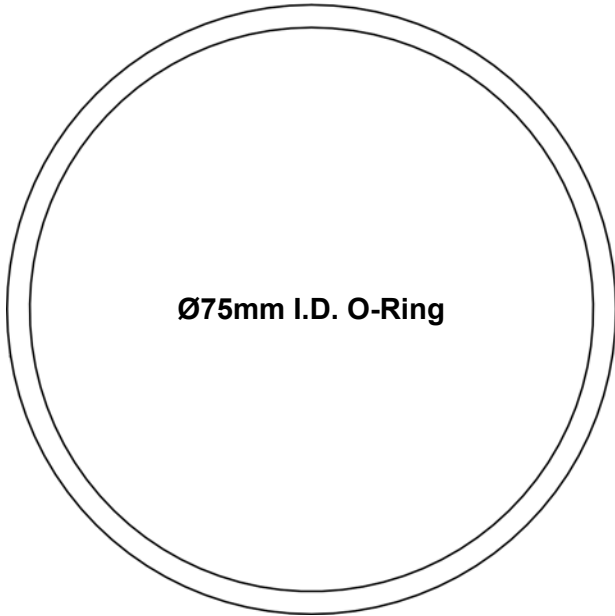
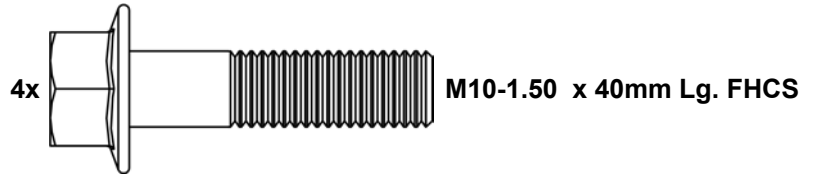
Thank You

For Choosing

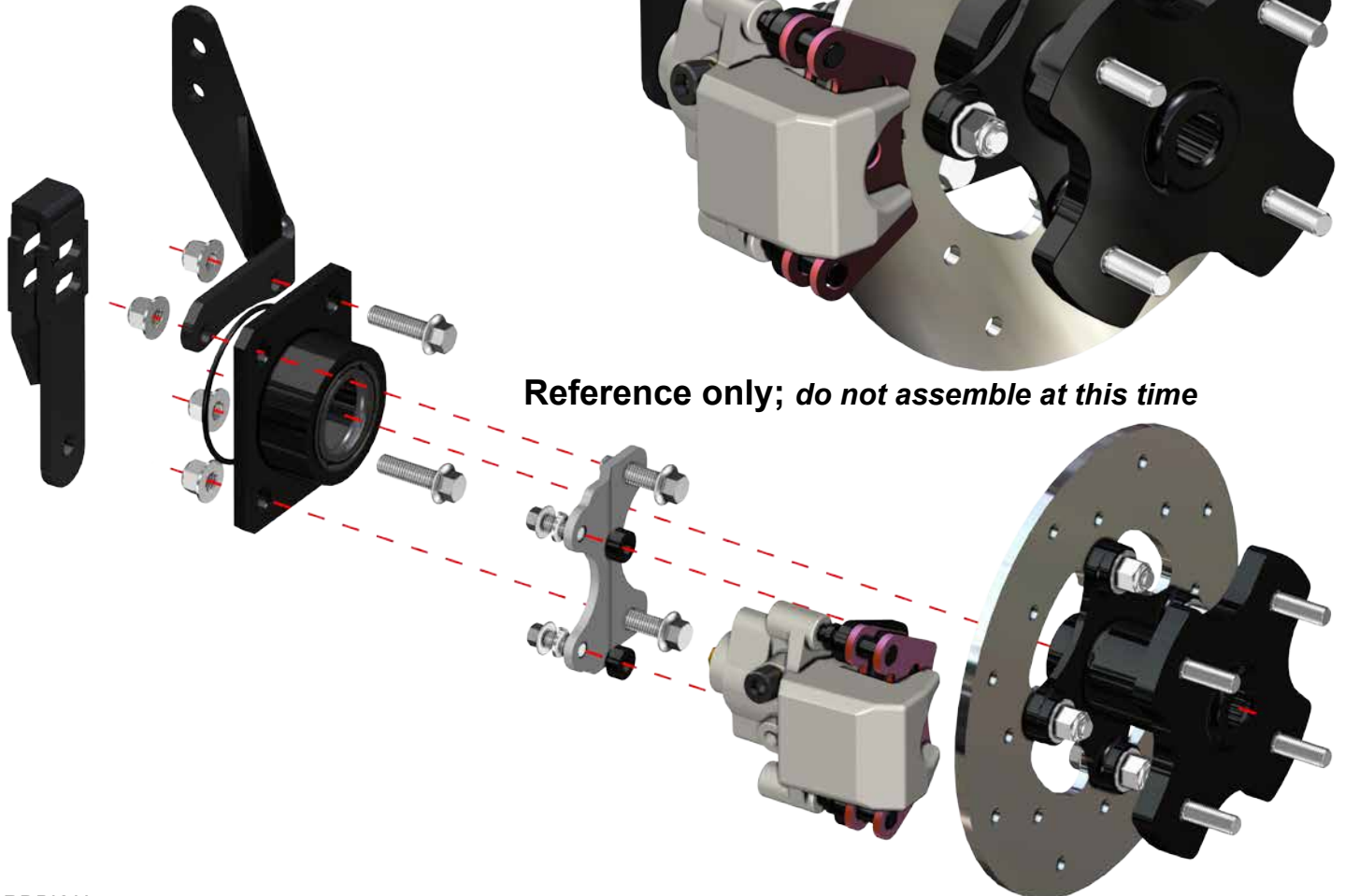
# SUPERATV.COM<sup>®</sup>



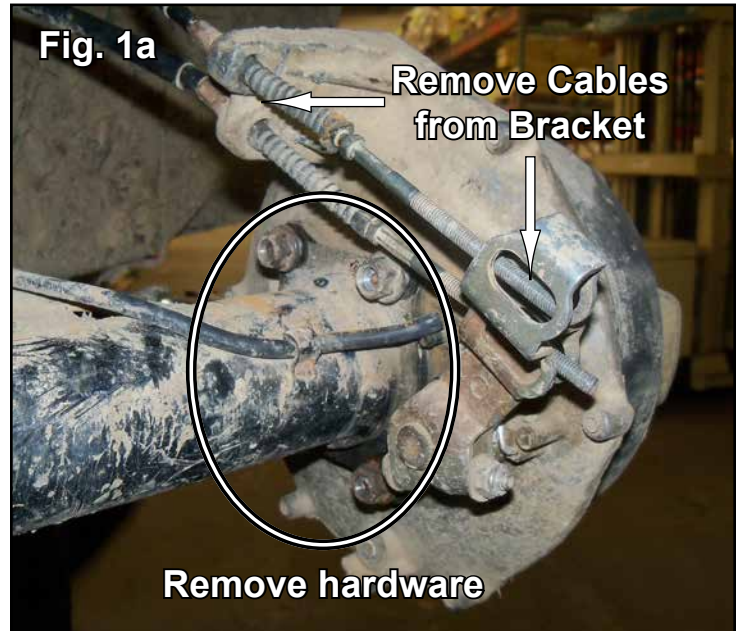
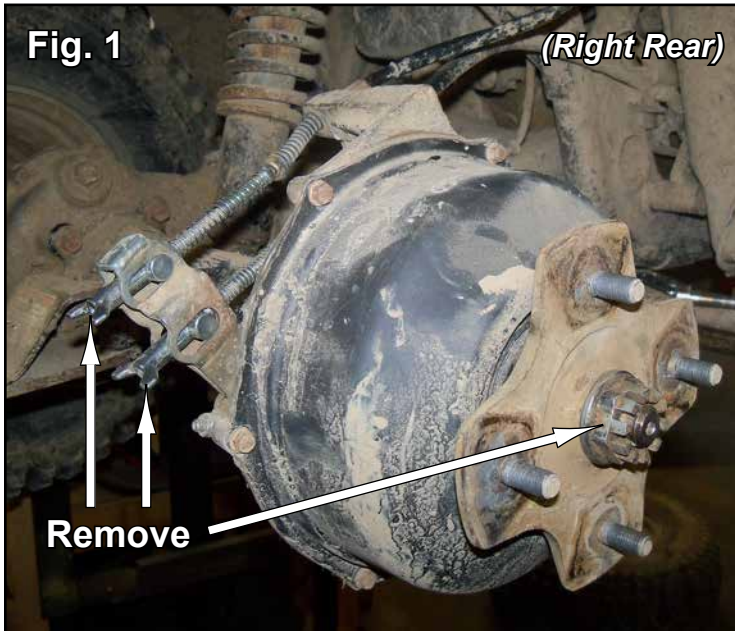
(kit contents continued)



**Reference only; do not assemble at this time**



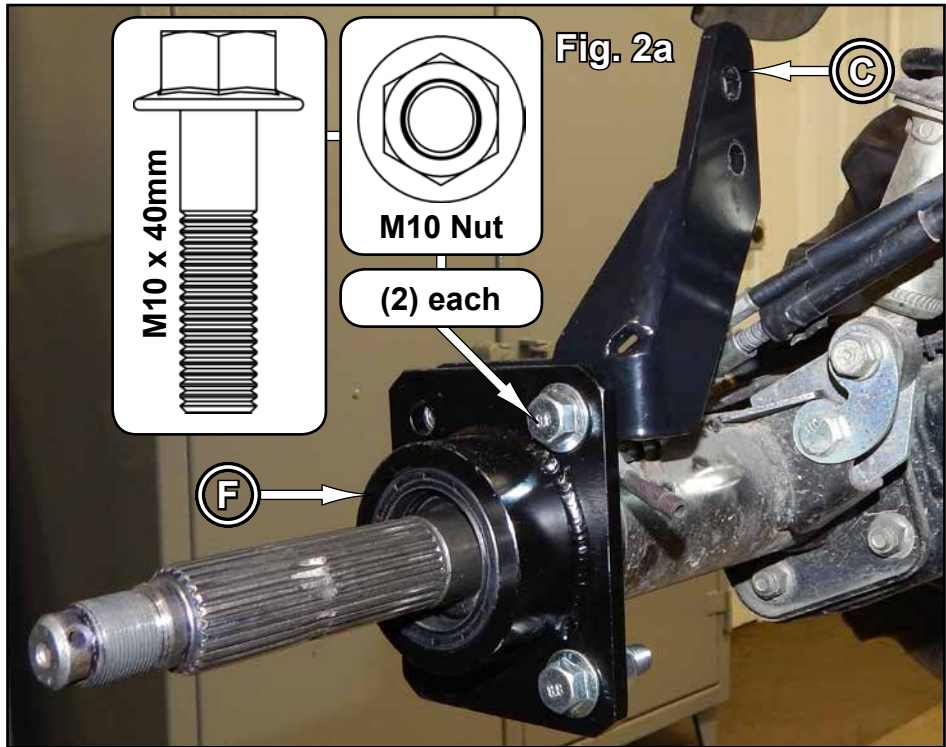
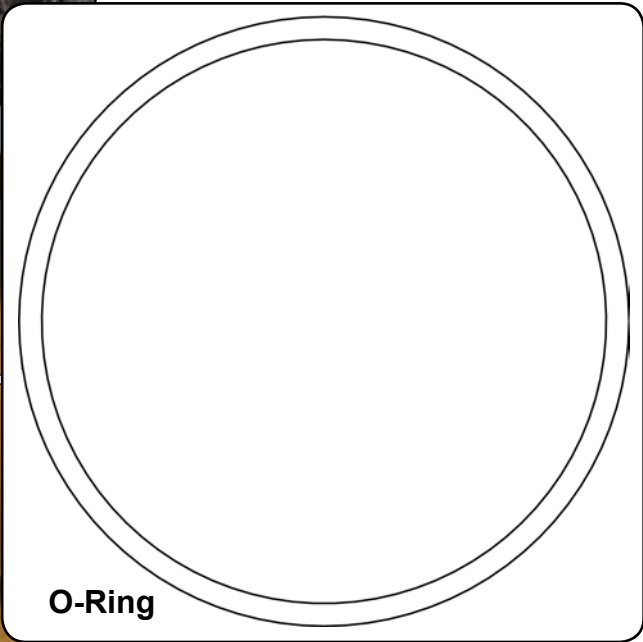
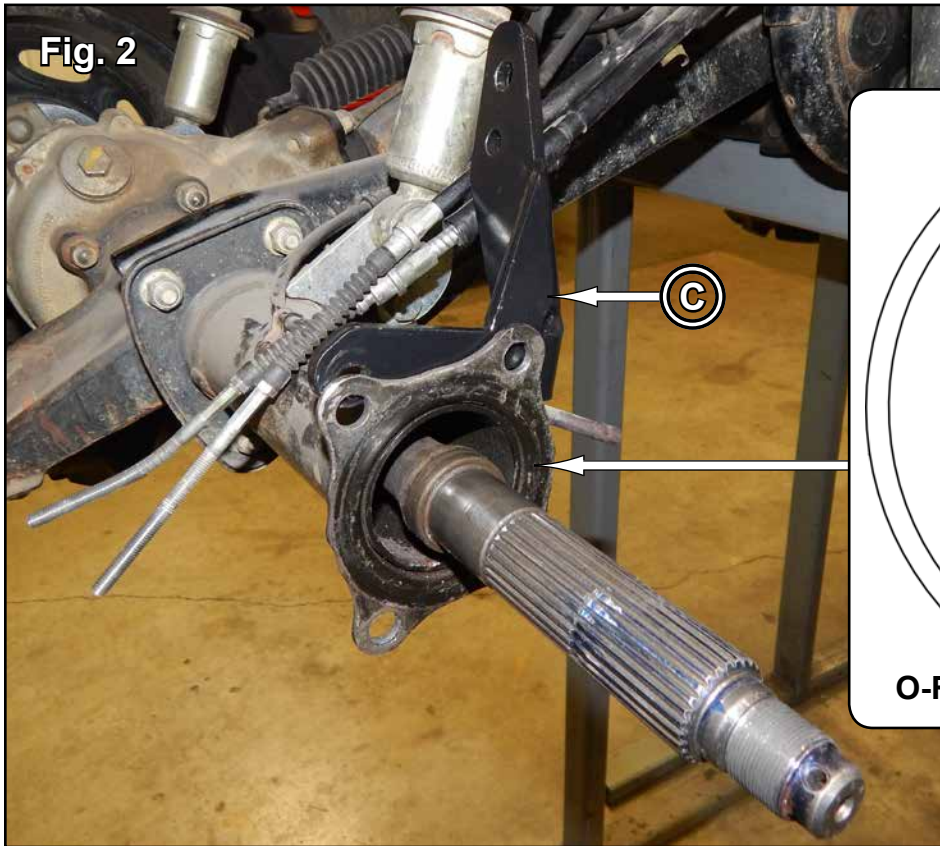
**Remove components shown:** *Keep all stock components removed.*

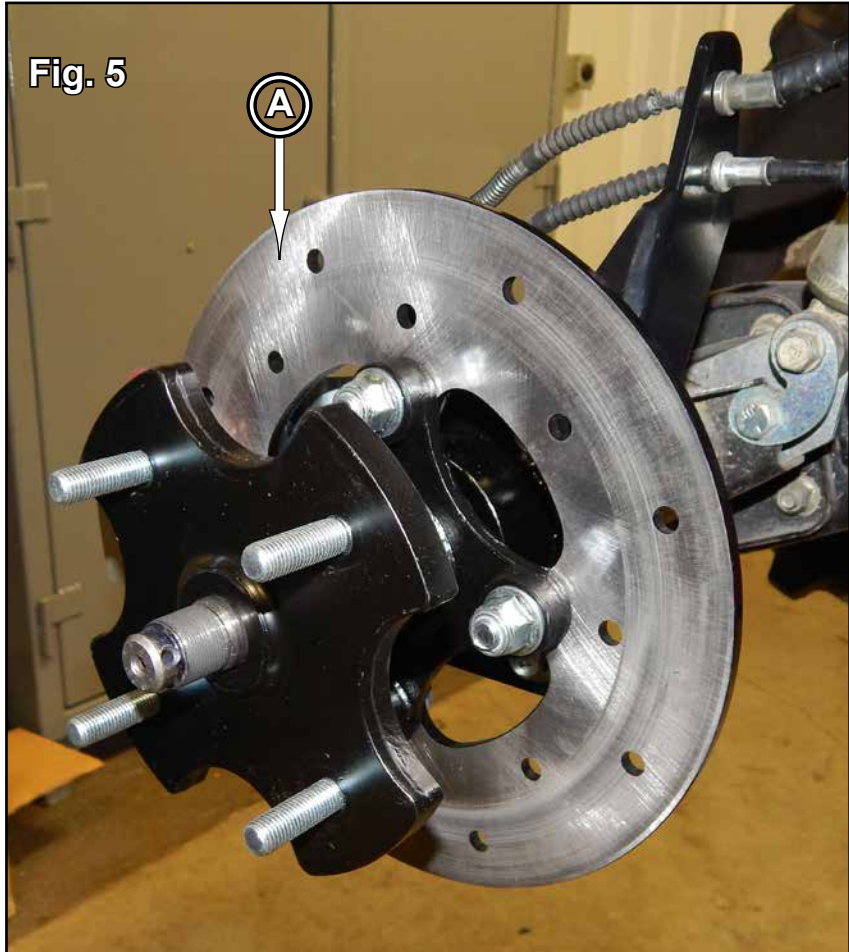
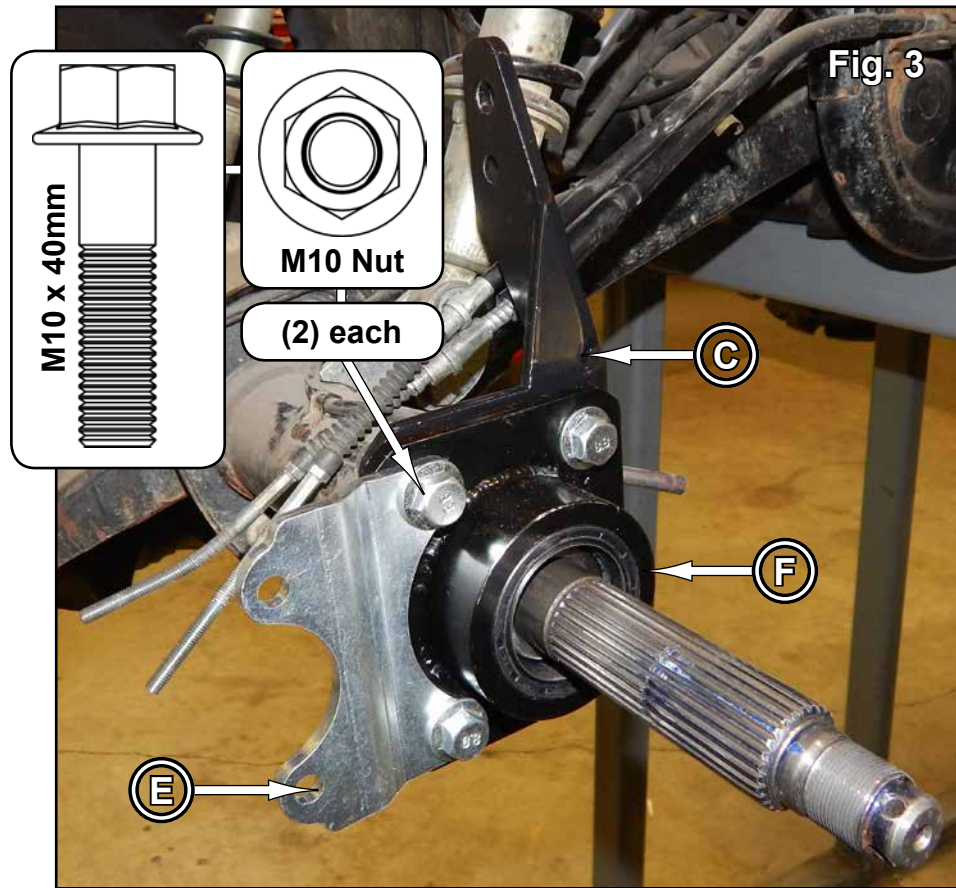


---

**Installation:** *Do not tighten hardware completely unless noted.*

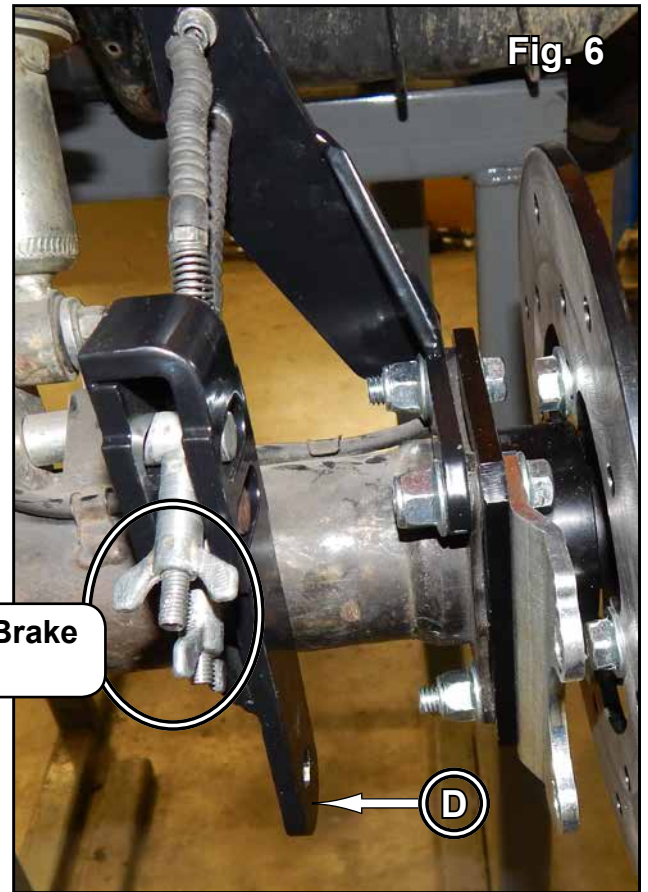
1. Install supplied O-Ring as shown in Fig. 2.
  2. Install Bearing Housing (F) and Brake Line Bracket (C) with M10 hardware as shown in Figs. 2 - 2a.
  3. Install Caliper Mount Plate (E) to Bearing Housing (F) with M10 hardware as shown in Fig. 3.
  4. Route Cables through Brake Line Bracket (C) as shown in Fig. 4.
  5. Install Disk Brake Assembly (A). See Fig. 5.
  6. Secure Cables to Emergency Brake Bracket (D) with stock hardware. See Fig. 6.
  7. Install Rear Caliper (B) to Caliper Mount Plate (E) with M8 hardware and Spacers as shown in Fig. 7. Spacers install between Rear Caliper (B) and Caliper Mount Plate (E).
  8. Secure Emergency Brake Bracket (D) to Rear Caliper (B) with provided hardware. See Fig. 7.
  9. Secure assembly with stock Nut and Cotter Pin. See Fig. 8.
- Tighten all hardware completely.



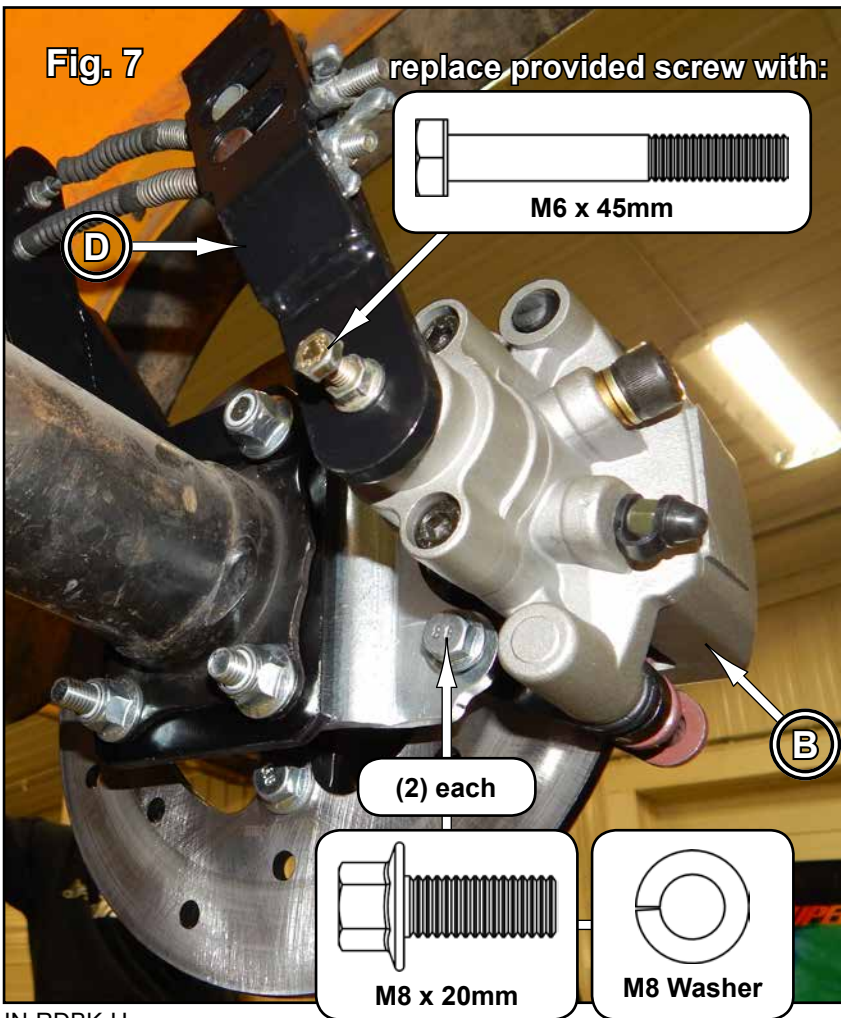


### Parts Reference

Item	Description
A	Disk Brake Assembly
B	Rear Caliper
C	Brake Line Bracket
D	Emergency Brake Bracket
E	Caliper Mount Plate
F	Bearing Housing



Loosely connect cables to Emergency Brake Bracket (D) with stock hardware.



Spacers install between Rear Caliper (B) and Caliper Mount Plate (E)

