



● Thank you for purchasing the our product. Before installing, please read the instruction carefully and keep it for future reference.

⚠ Attention!

- For installation, please follow the steps described in manual. Any damage caused by wrong installation shall be imputed to the users.
- Don't break or modify the wire. To avoid the short circuit, please don't pull the wire when installing.
- Do not disassemble or change any parts excluding the manual description.
- The interior examination or maintenance should be executed by our professionals.

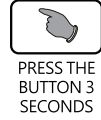
⊙ MARK MEANING:

NOTE You could get the installation details from the information behind the mark.

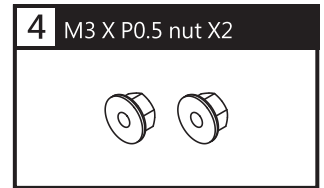
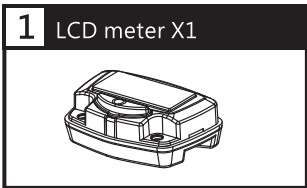
⚠ Some processes must be followed to avoid the affection caused by wrong installation.

⚠ **WARNING!** Some processes must be followed to avoid damages to yourself or the public.

⚠ **CAUTION!** Some processes must be followed to avoid the damage to the vehicle.

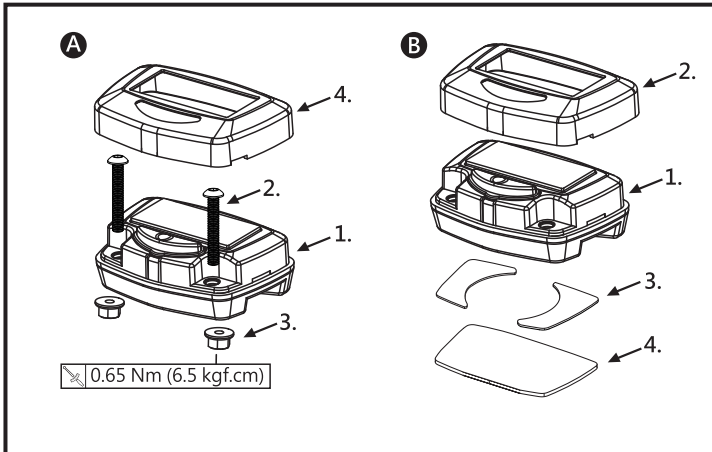


1 Accessories



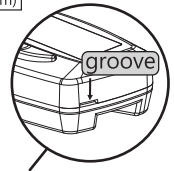
NOTE Contact your local distributor, if the items received in the box are not the same as the items listed above.

2-1 Installation Instructions



Follow the steps below during installation.

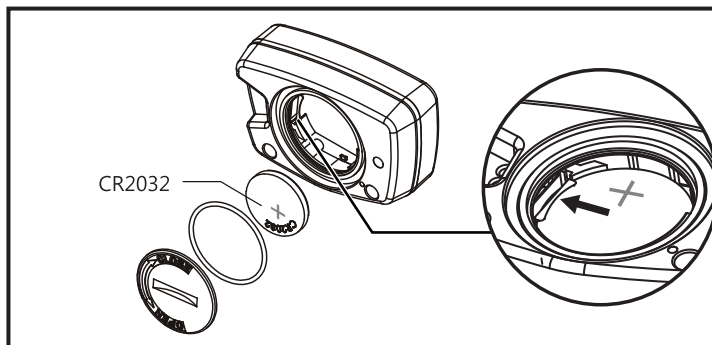
- A**
- 1.LCD meter(Accessory 1)
 - 2.M3 X L20 HEX socket set screw(Accessory 3)
 - 3.M3 X P0.5 nut(Accessory 4) \times 0.65 Nm (6.5 kgf.cm)
 - 4.Meter cover(Accessory 2)
- B**
- 1.LCD meter(Accessory 1)
 - 2.Meter cover(Accessory 2)
 - 3.Velcro-male(Accessory 5)
 - 4.Velcro-female(Accessory 5)



⚠ When removing the meter cover, please use appropriate tool to open the meter cover from the groove (as shown) on the side of the meter. Please do not directly disconnect the cover vertically to avoid making damages to the meter cover.

NOTE Choose either Method A or B according to your need.

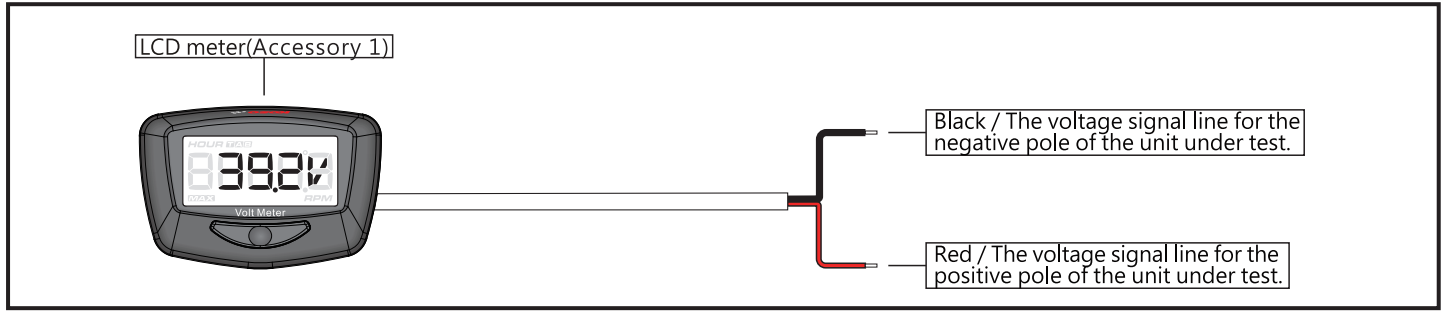
2-2 Battery Installation Instructions



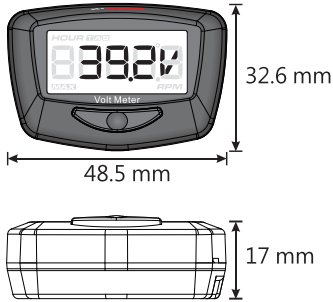
⚠ Please change the battery when the meter is off!

NOTE Please follow the arrow direction to press before remove the battery.

2-3 Wiring Installation Instructions



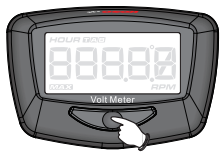
3 Functions, Settings Description



● Voltmeter	Display range : DC1.0~70.0 V Display unit : 0.1 V
○ Display internal	<0.5 Sec.
○ Max. volt record	Display range : DC1.0~70.0 V
● Internal battery type	CR 2032
● Battery life time (continuously)	About 1 year
● Effective temperature range	-10~60 °C
● Water-Proof Standard	JIS D 0203
● Meter size	W48.5 X L32.6 X H17 mm
● Meter weight	About 32 g

NOTE Design and specifications are subject to change without notice!

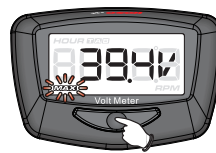
4 Display Switching Instruction



- When meter is OFF, press the button once to enter the voltage screen.



- In voltage screen, press the button once to enter the Max. voltage record screen.



- In Max. voltage record screen, press the button once to go back to the voltage screen.
- Press and hold the button for 3 seconds to reset the Max. voltage record.



- Back to voltage screen.

NOTE The meter will automatically turn off if no button is pressed or if there is no signal input for more than 30 seconds.
The meter will automatically turn off if the voltage is under 1.0 V.

5 Trouble shooting

The following situations do not indicate malfunction of the meter. Please check the following points, before taking it in for repairs.

Trouble	Check item
The meter doesn't display.	<ul style="list-style-type: none"> ● Maybe poor connection of the voltage signal line. → Please make sure the voltage signal line is connected correctly. ● Maybe the problem is caused by the insufficient power. → Please change the inner battery.

※ If the problem persists after reviewing the options above, please contact your local distributor.