



Custom Dynamics® Spyder® HMT CVT Converter Installation Instructions

We thank you for purchasing the Custom Dynamics® Spyder® HMT CVT Brake light dual converter. Our products utilize the latest technology and high quality components to ensure you the most reliable service. We offer one of the best warranty programs in the industry and we back our products with excellent customer support, if you have questions before or during installation of this product please call Custom Dynamics® at 1(800) 382-1388.

Part Number: SPY-HMT-CVT

Package Contents:

- CVT Converter Unit (1)
- Posi-Lock Connector (2)

Fits: 2010-2018 Can-Am Spyder® RT, RT-S, RT-Limited Models

1. The 3 wire side of the Dual converter connects to the 3 Posi-Lock™ connectors on the Harness color for color. Unscrew the empty side of the connector and insert the wire, then attach red to red, orange to orange, and black to black. (See diagram)
2. The 2 wire side of the dual converter connects to the HMT brake light with the included Posi-Lock™ connectors. Match colors, black goes to black and red to red. (See diagram)
3. Test operation of the HMT Brake Light in all modes, running, brake, left turn and right turn.



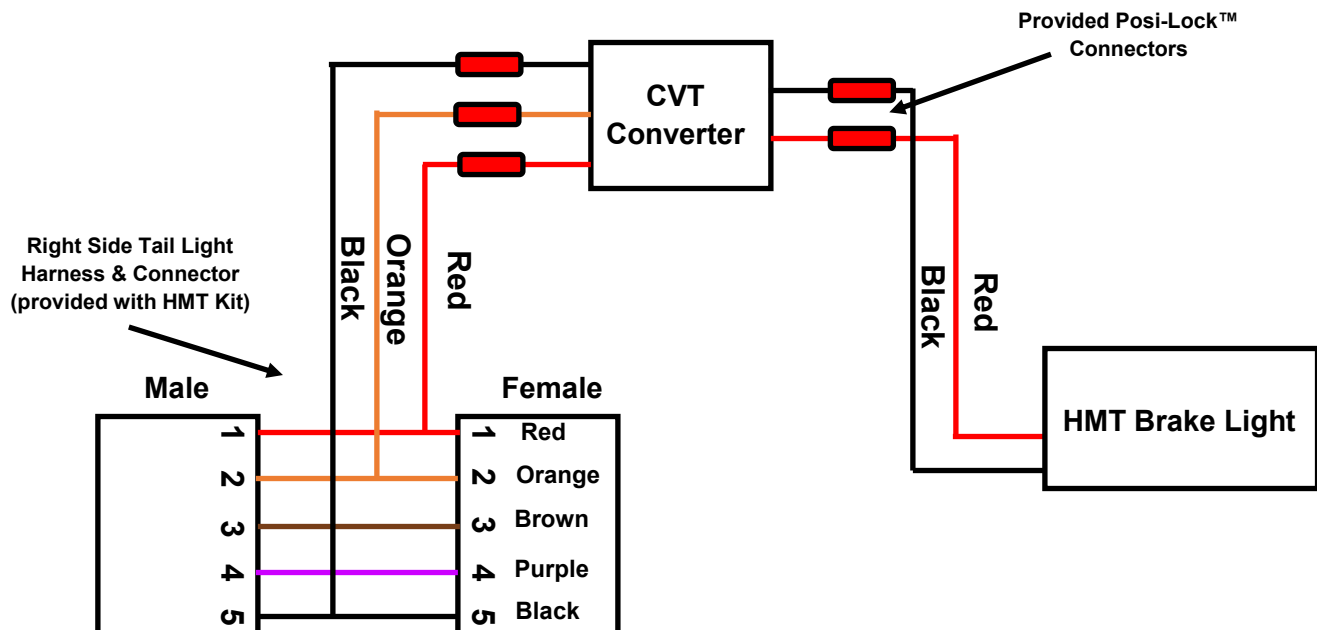
Please read all Information below before Installation

Warning: Disconnect negative battery cable from battery; refer to owner's manual. Failure to do so may result in electrical shock, injury, or fire. Secure negative battery cable away from positive side of battery and all other positive voltage sources on vehicle.

Safety First: Always wear appropriate safety gear including safety glasses when performing any electrical work. It is highly recommended that safety glasses be worn throughout this installation process. Be sure vehicle is on level surface, secure and cool.

Important: This product is designed and intended for use with auxiliary lighting only. It is NOT intended to replace any original equipment lighting installed on the vehicle and should not be used for that purpose. This product must be wired so that it does not interfere with any original equipment lighting.

Note: Some wiring knowledge may be needed for this installation. Consult your vehicle detailed service manual for wiring information and color codes. Use a meter or test light to verify wiring before tapping any vehicle wiring. If the steps contained within are beyond your skillset, do not attempt installation, contact a qualified mechanic or dealership to assist you.



Questions? Call us at: 1 (800) 382-1388 M-TH 8:30AM-5:30PM / FR 9:30AM-5:30PM EST