

6V & 12V

2A

GENIUS2



CHARGE DEAD BATTERIES. BATTERY CHARGER AND MAINTAINER.

**6V &
12V**

DO MORE WITH GENIUS.

Designed for 6-volt and 12-volt lead-acid automotive, marine, and deep-cycle batteries, including flooded, gel, AGM, and maintenance-free, plus lithium-ion batteries.

**ZERO
VOLTS**

CHARGE DOWN TO ZERO VOLTS.

Charge dead batteries as low as 1-volt. Or use the all-new Force Mode that allows you to take control and manually begin charging dead batteries down to zero volts.

140%

MORE POWER.

Similar to our G1100, just better. It's 30% smaller and delivers 140% more power. And it's simpler and easier to use than ever before.

24/7

WORRY-FREE CHARGING.

Provides all-season, all-weather charging for a healthy battery, leave plugged in 24/7 with no worries of overcharging. Automatically returns to its last selected mode.

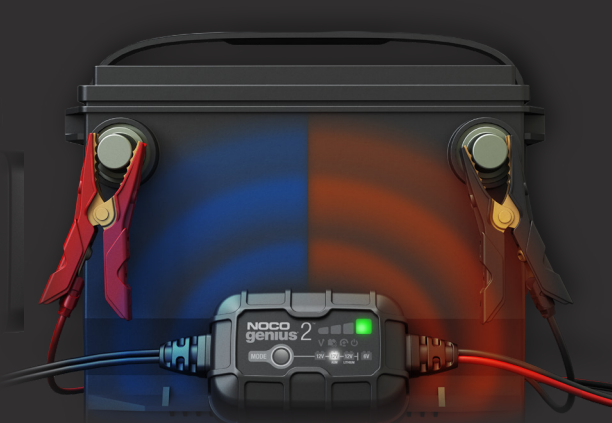


30339 Diamond Parkway, #102
Glenwillow, OH 44139 | USA
1.800.456.6626

no.co



LEAD ACID
AUTO | MARINE | RV | POWERSPORT | LAWN & GARDEN



CHARGING MODES

- 12V**
 Used for 12V wet cell, gel, enhanced flooded, maintenance-free, & calcium batteries.
- AGM**
 Used for 12V AGM or maintenance-free batteries.
- LITHIUM**
 Used for 12V lithium-ion batteries (including lithium iron phosphate). Only for batteries with Battery Management Systems (BMS).
- 6V**
 Used for 6V wet cell, gel, enhanced flooded, maintenance-free, & calcium batteries.

ADVANCED DIAGNOSTICS

- STANDBY**
 The charger is in standby or the battery voltage is too low for the charger to detect.
- BAD BATTERY**
 There is a possible battery short or the battery will not hold a charge. Consult a professional.
- HIGH VOLTAGE**
 The battery voltage is too high for the selected charge mode. Check the battery and charge mode.
- REVERSE POLARITY**
 Charger is connected to the battery in reverse. Reverse the connections.
- CHARGE LED**
 Indicates the charge level of the internal battery.

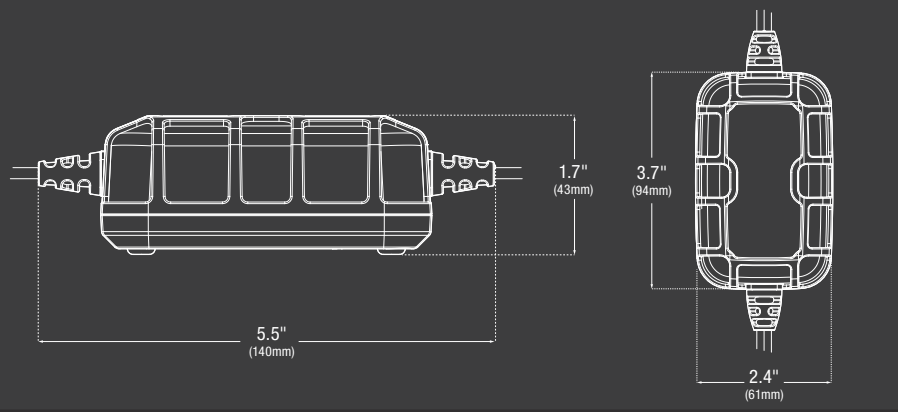
THERMAL COMPENSATION.

The new integrated thermal sensor automatically monitors and adjusts the charging cycle based on fluctuations of ambient temperature, limiting the chance of under-charging or over-charging, providing a more accurate and fully charged battery.

Battery Size	CHARGING TIMES
20Ah	7.5hr
40Ah	15hr
80Ah	30hr
100Ah	60hr

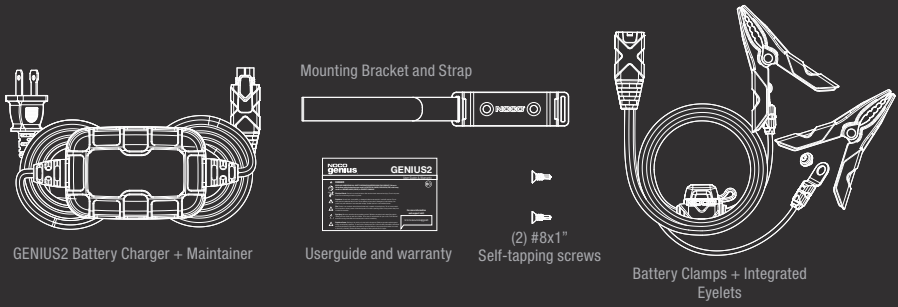
*Approximate charging times at 50% depth of discharge.

WHAT'S IN THE BOX



TECHNICAL SPECIFICATIONS

LINE VOLTAGE AC:	120-240 VAC, 50-60Hz
OUTPUT POWER:	30 Watts Max
CHARGING VOLTAGE:	Various
CHARGING CURRENT:	2A (12V), 2A (6V)
CHEMISTRY:	Lead-Acid and Lithium
OPERATING TEMPERATURE:	-4° to 104° F (-20° to +40° C)
STORAGE TEMPERATURE:	-22° to 140° F (-30° to +60° C)
LOW-VOLTAGE DETECTION:	1V (12V), 1V (6V)
BACK CURRENT DRAIN:	<0.5mA
BATTERY CAPACITY:	Up to 40Ah, Maintains All Battery Sizes
HOUSING PROTECTION:	IP65
COOLING:	Natural Convection
UNIT WEIGHT:	1.1 lbs (0.50 kg)
VOLUMETRICS:	Retail Packaging: Dimensions: 3.43" x 4.25" x 6.97" Weight: 1.23lbs UPC: 0-46221-19003-8 Master Carton: Dimensions: 15.12" x 11.81" x 5.20" Weight: 8.45lbs Quantity: 6 UCC: 10046221190035 Inner Carton: Dimensions: 3.70" x 4.49" x 7.20" Weight: 1.28lbs



NOCO
 30339 Diamond Parkway, #102
 Glenwillow, OH 44139 | USA
 1.800.456.6626
no.co

