

# Polaris Ranger Off-Road Vehicle Chainsaw Mount Kit

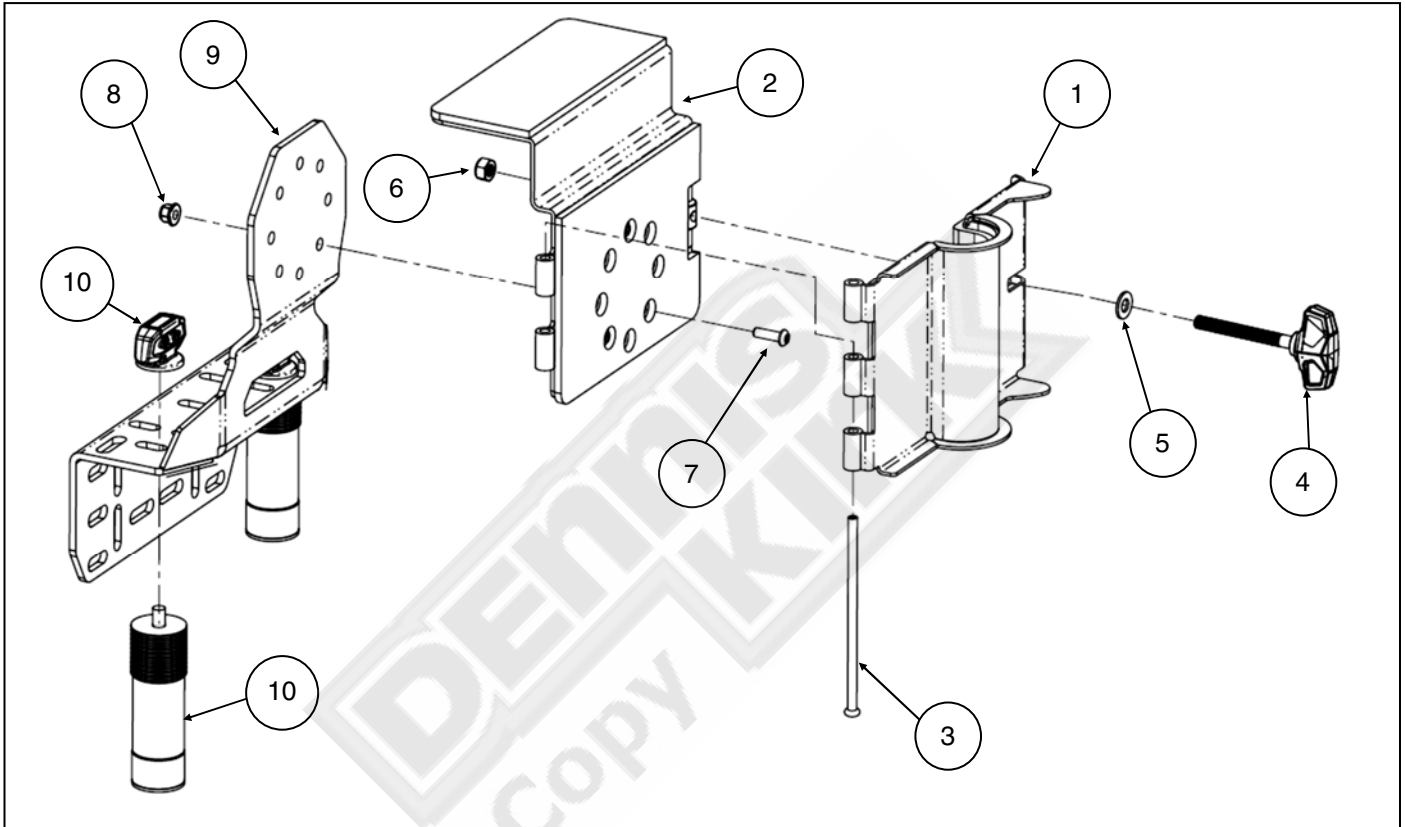


Product Instructions | Part No: 20049

**Application:** Verify accessory fitment at Kolpin.com.

**Before You Begin:** Read these instructions and check to be sure all parts and tools are accounted for. Please retain these installation instructions for future reference and parts ordering information.

**Note:** If any hardware is missing, do not return to the store. Call us to help, Toll Free 1-877-956-5746.



**This Kit includes:**

Item	Qty	Part Description	Part Number
1	1	Clamping Door Assembly	-
2	1	Mount Base Assembly	-
3	1	Fixed Hinge Pin	-
4	1	Turn Knob Screw, Zinc Plated, M8-1.25 x 70mm LG	-
5	1	Flat Fender Washer, Zinc Plated, M8	-
6	1	Hex Locknut, Zinc Plated, M8-1.25	-
7	3	Button Screw, Zinc Plated, M6-1.0 x 20mm LG, Torx Drive	-
8	3	Hex Flange Locknut, Zinc Plated, M6-1.0	-
9	1	UTV Bed Bracket	-
10	2	Polaris UTV Lock & Ride Plunger Anchor	98510
11	1	Instruction Guide (not shown)	-

**Note:** Depending on vehicle application, extra self-tapping screws (not included) can be used to secure bed bracket (item #9) to cargo bed.

## Tools Required:

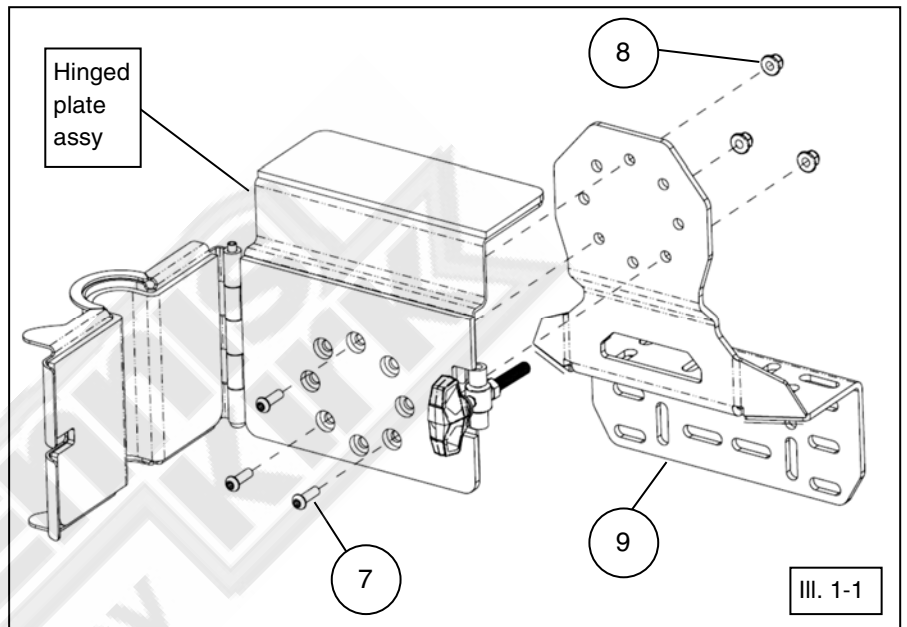
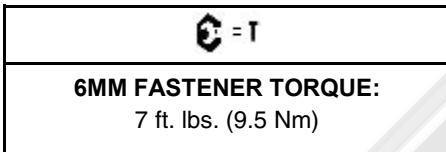
- Safety Glasses
- Torx Driver Bit Set
- Metric Socket Set
- Metric Wrench Set

**Assembly Time:** Approximately 12 minutes. The kit comes mostly assembled from factory, some assembly is required. Re-torque all bolts and nuts after the first 30 minutes of use.

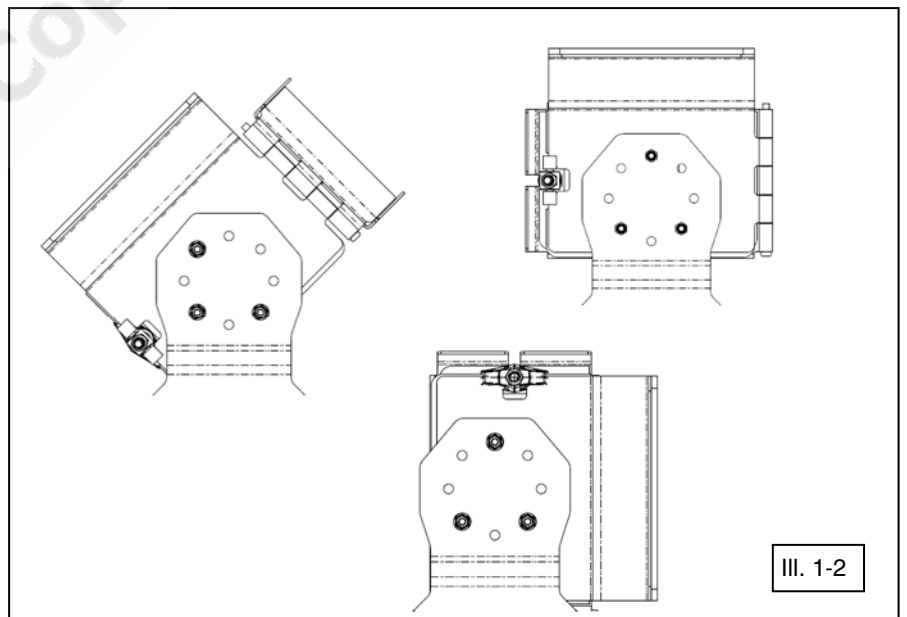
**Important:** Your Kolpin Ranger Chainsaw Mount Kit is universally designed for your vehicle. Please read the installation instructions thoroughly before beginning. Installation is easier if the vehicle is clean and free of debris. For your safety, and to ensure a satisfactory installation, perform all installation steps correctly in the sequence shown. Additional time may be required to accommodate other installed accessories.

## INSTALLATION INSTRUCTIONS:

1. Attach the hinged plate assembly to the mounting bracket (item #9) using the three M6 button screws (item #7). Fasten using three M6 locknuts (item #8). Tighten to M6 specifications. (See illustration 1-1).

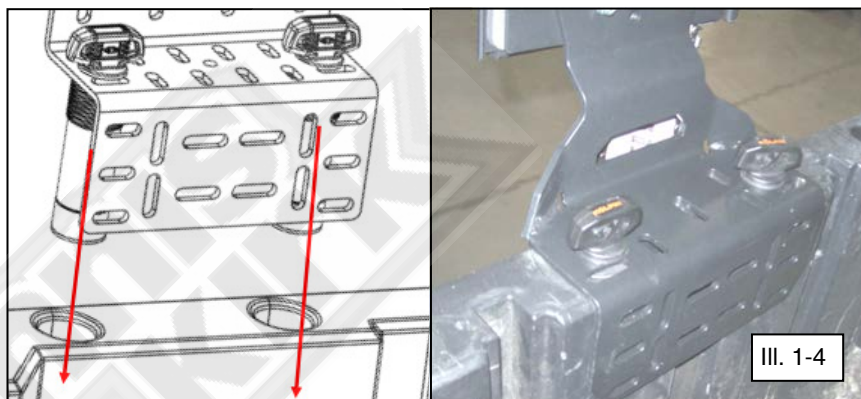
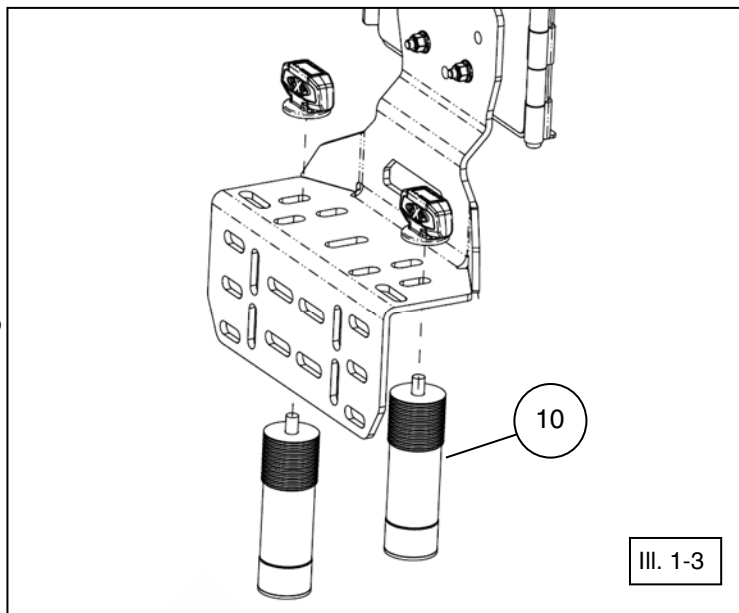


2. The hinged plate assembly can be set at 45 degree angle increments to the mount bracket to accommodate your UTV and Saw preferences. (See illustration 1-2).



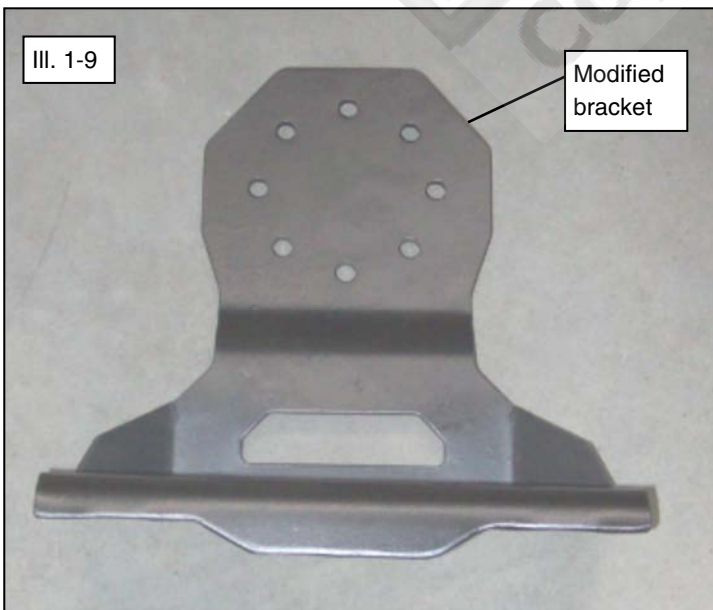
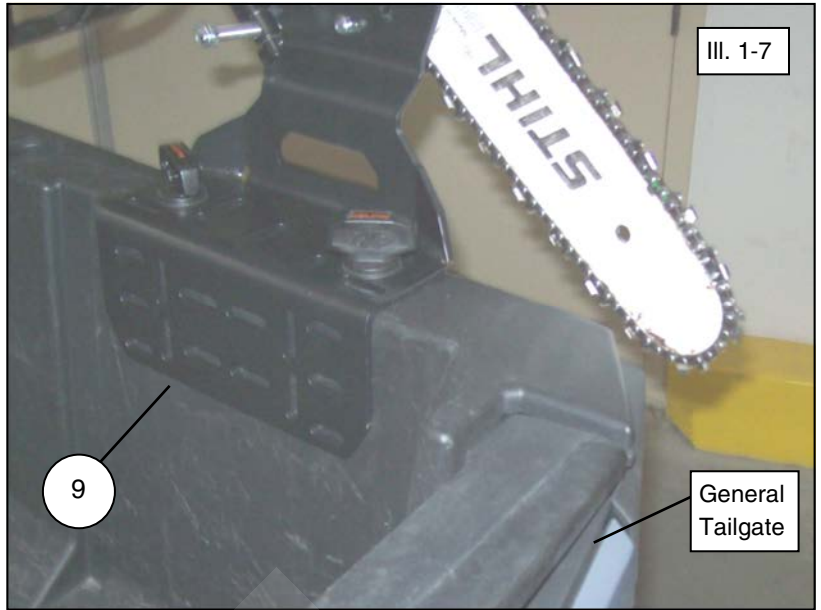
### INSTALLATION INSTRUCTIONS (continued):

3. Attach the two Polaris UTV Lock & Ride Plunger Anchors (item #10) to the mounting bracket as shown. (See illustration 1-3). **Note, do not tighten turn knobs at this step.**
4. The Kolpin Ranger Chainsaw Mount can be installed in many mounting positions on your cargo bed. Position and place the mounting bracket into the cargo bed Lock & Ride holes as shown. Tighten the turn knobs to secure the assembly to the bed. (See illustration 1-4). **Note, the place the plastic washers on top of the metal bracket, under the turn knobs.**
5. The Chainsaw Mount can be installed with the door opening facing outside the Ranger bed or inside the Ranger bed, as shown. (See illustrations 1-5 and 1-6).



**POLARIS GENERAL INSTALLATION INSTRUCTIONS:**

- 6. The Ranger chainsaw mount will fit on General cargo beds. The General has wider bed sides along with tapered inside walls. Place the bracket (item #9) at the rear holes of the cargo bed on either side. The hinged plate assembly will fit when rotated 45° as shown. The saw or handle tool items will be placed on outside of bed. (See illustration 1-7).
- 7. The bracket (item #9) can be trimmed to allow the saw or handle tool items to be placed inside the General cargo bed. Mark and trim the bracket as shown. Sand and paint the exposed metal with black paint. The bracket can then be placed with hinged plate assembly facing towards interior of General bed, into many of the Lock & Ride holes. (See illustrations 1-8, 1-9 and 1-10).



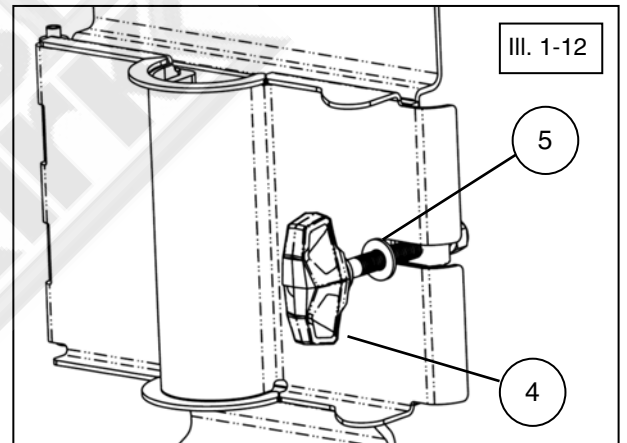


**OPERATIONAL USE INSTRUCTIONS:**

8. The Chainsaw mount is designed to carry your saw safely and securely while keeping your UTV bed open for other necessities. The mount is also designed to carry yard tools with a handle, example shovel, in the round groove opening on hinged door (item #1). (See illustration 1-11).
9. The hinged plate assembly has a hand turn knob (item #4) that provides clamping force to hold saw or shovel. To open, loosen the hand knob and pivot the hand knob to release the hinged door plate. (See illustration 1-12). **Note, the flanges on the front plate are designed to help keep branches from hitting and possibly opening the hand knob.**
10. Place the saw into the hinged door assembly and push the front plate closed. Swing the hand knob into the lost in the front plate and tighten securely. Tighten the turn knobs to secure the assembly to the bed. (See illustrations 1-12, 1-13 and 1-14). **Note, the large flat washer (item #5) provides bearing surface between the hand knob and hinged door.**
11. The saw bar can be clamped by the door on either end of the base or in the middle. More clamping area is found on each end. (See illustrations 1-13, 1-14 and 1-15).



III. 1-11



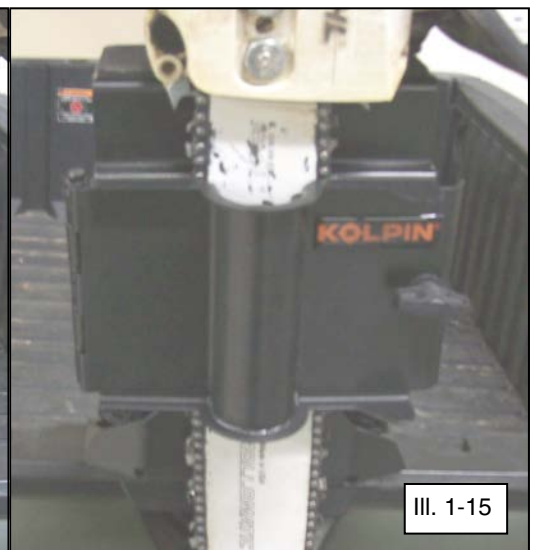
**CAUTION:** When loosening the clamping door turn knob, the door may swing open causing the saw to fall out. Make sure to hold onto saw when opening the saw clamping door.



III. 1-13



III. 1-14



III. 1-15

## OPERATIONAL USE INSTRUCTIONS (continued):

12. You are able to mount your saw so that the power head is not sitting on the area provided as shown. It is best if your power head is sitting on the foam pad, but in some instances this may not work, and has proven no loss in performance of the saw mount. (See illustration 1-16).



### Use and Care Information:

- Check the accessory mounts frequently and retighten hardware if necessary.
- Replace this accessory with a new one if it is damaged.
- Never use petroleum solvents such as gasoline, thinner, benzene, acid or alkaline cleaners.

For additional assistance, please contact Kolpin customer service department at (877) 956-5746 or (763) 478-5800 or email [customerservice@kolpin.com](mailto:customerservice@kolpin.com)