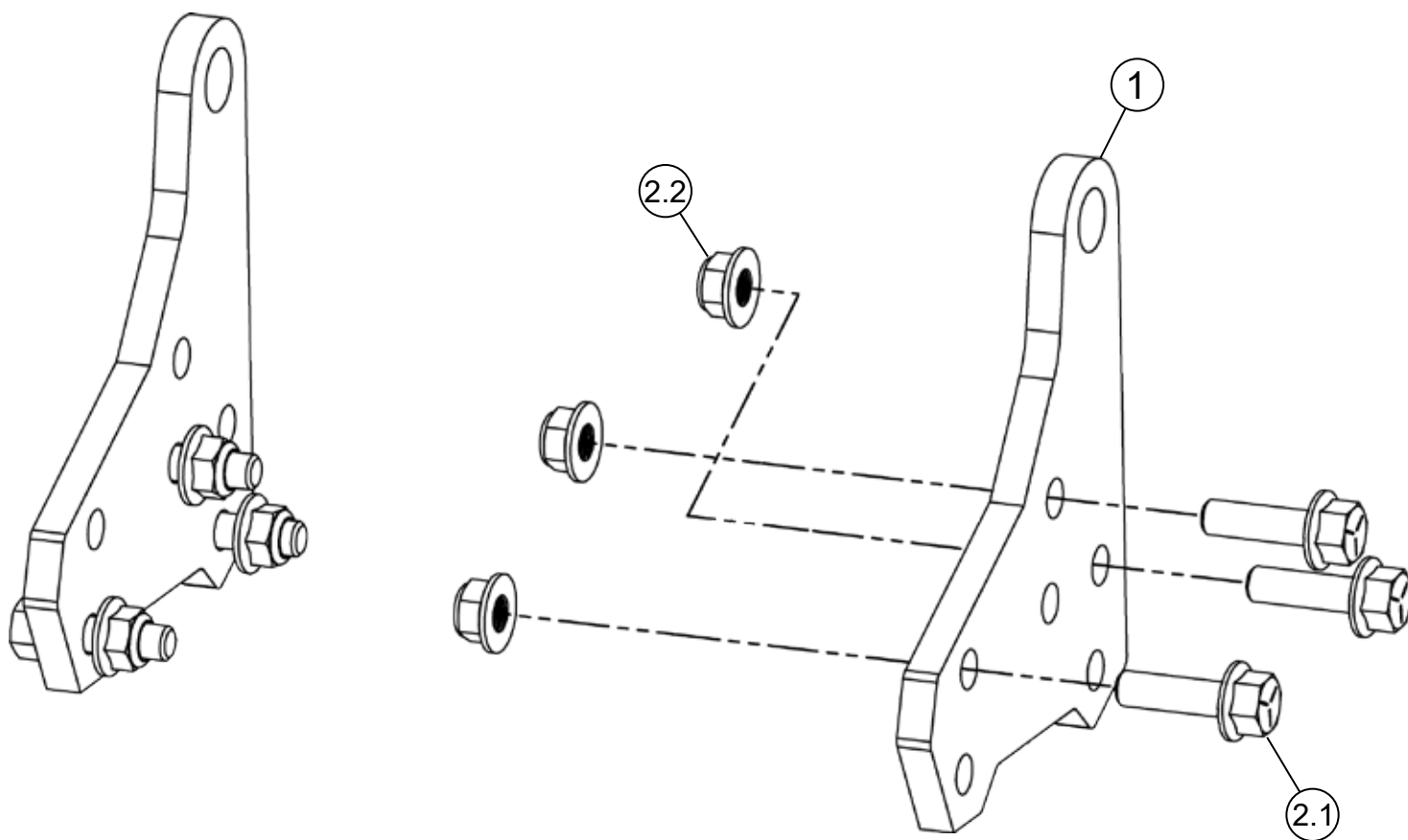


1"- 2" SQ PUSH TUBE LEVELING KIT

Plow Accessory

PART #106322

Kit Components:		
Item #	Qty.	Description
1	2	Leveling Tab
2	1	Hardware Kit (HK-398)
2.1	6	3/8"-16 x 1.25 Hex Flange Bolt
2.2	6	3/8"-16 Hex Flange Nylock Nut



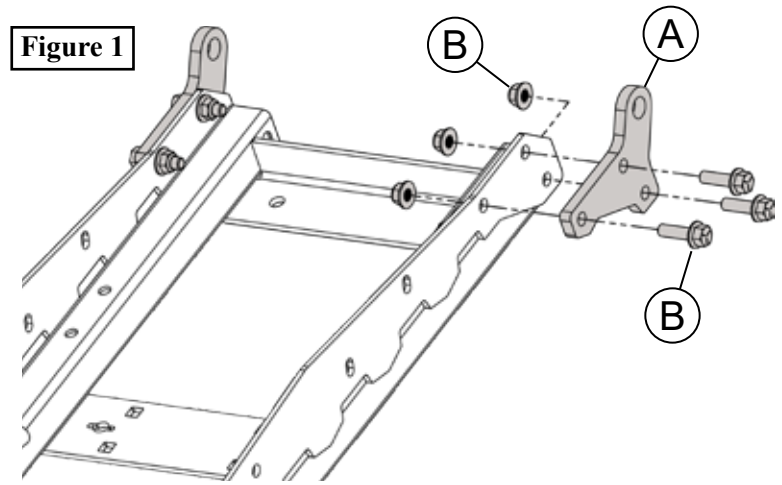
INSTALLATION INSTRUCTIONS

Note: Make sure all hardware needed to complete this mount is in the package. Thoroughly read through and understand the instructions before installing.

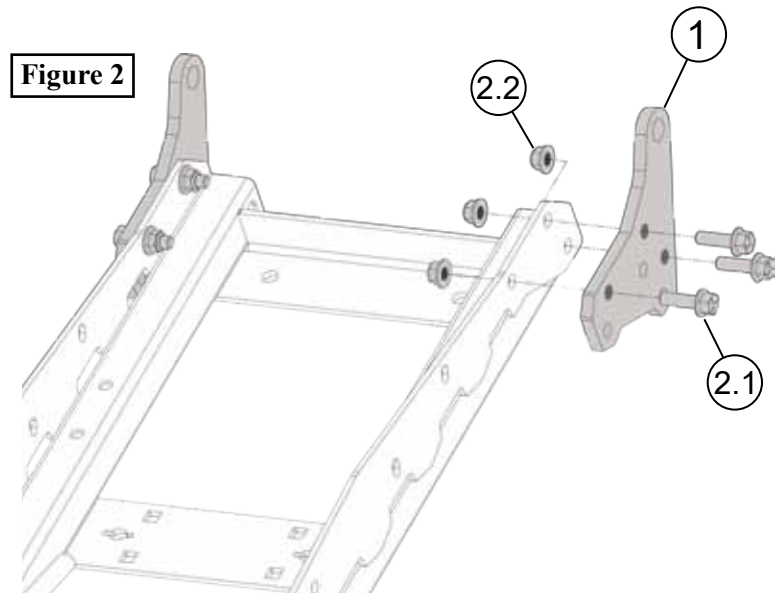
Note: If standard pin attachment brackets have not yet been installed, skip to step 2.

Note: The ideal pin height is 10.875". Use leveling kit configuration accordingly. (see figure 4) Be sure suspension is settled before measuring on flat level ground.

1. Remove and discard the existing standard pin attachment brackets (A) and hardware (B) as shown in **Figure 1**.

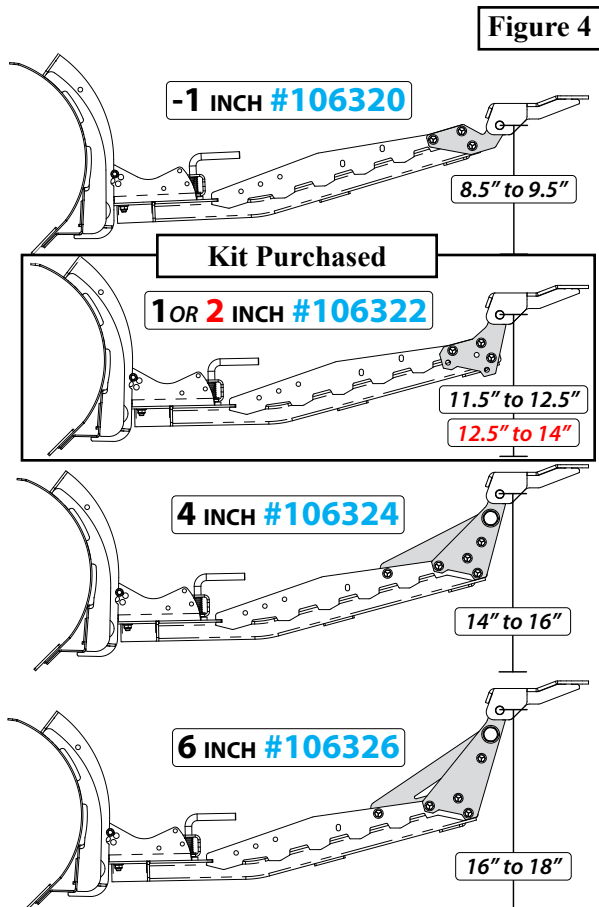
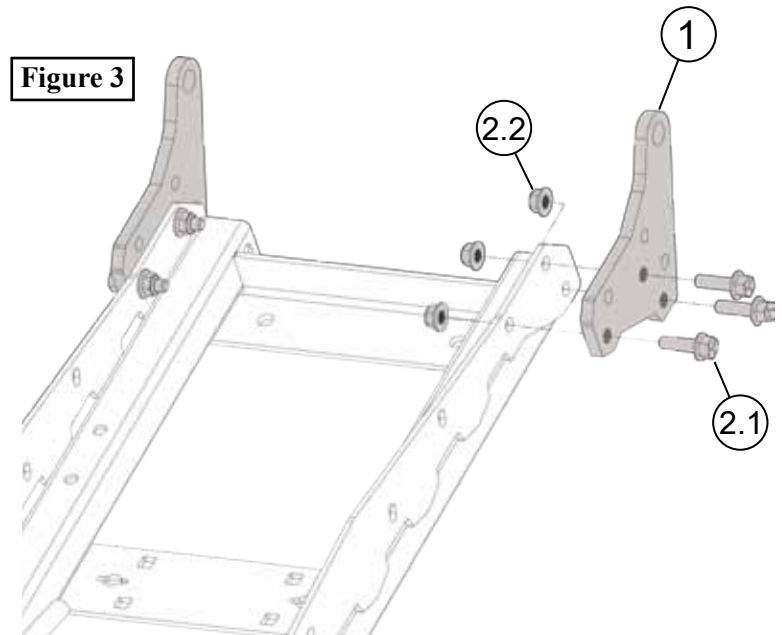


2. Set leveling tab (1) in place and secure using bolts (2.1) and nuts (2.2) as shown in **Figures 2 & 3**.



3. For the 1" leveling height configuration, see **Figure 2**. For the 2" leveling height configuration, see **Figure 3**.

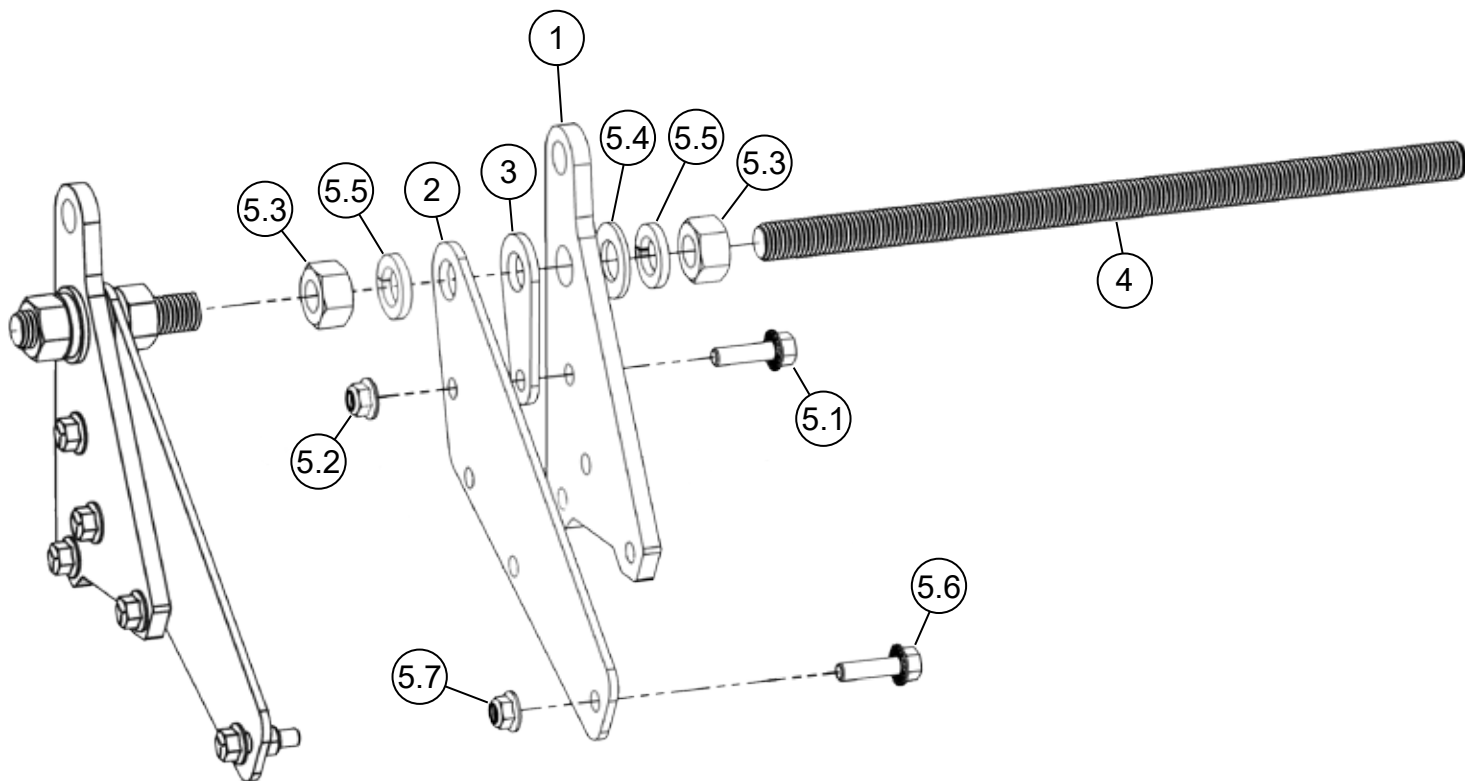
4. Torque all hardware to **31 lb-ft**.



SQ PUSH TUBE 4" LEVELING KIT

PLOW ACCESSORY

PART #106324



Item #	Qty.	Description
1	2	4" Push Tube Leveling Ear
2	2	4" Gusset Plate
3	2	Push Tube Extension Spacer
4	1	3/4" - 10 X 15" Threaded Rod
5	1	Hardware Kit (HK-397)
5.1	2	3/8"-16 x 1.25 Hex Bolt Flange

Item #	Qty.	Description
5.2	2	3/8"-16 Hex Flange Nylock Nut
5.3	4	3/4" Hex Nut
5.4	2	3/4" Flat Washer
5.5	4	3/4" Lock Washer
5.6	2	5/16"-18 X 1.00 Hex Bolt
5.7	2	5/16"-18 Hex Flange Nylock Nut

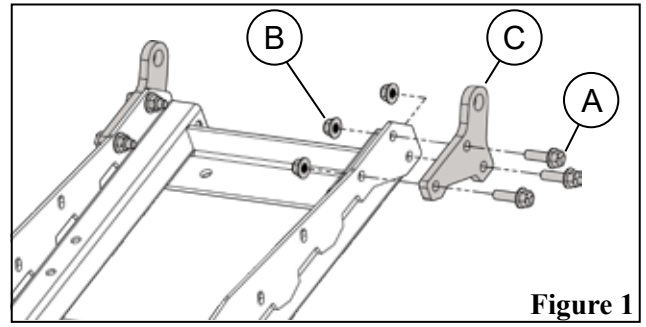


INSTALLATION INSTRUCTIONS

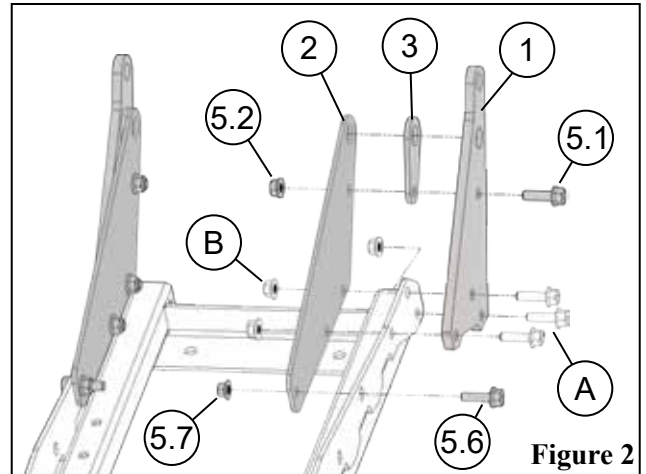
Note: Make sure all hardware needed to complete this mount is in the package. Thoroughly read through and understand the instructions before installing.

Note: If pin attachment brackets (C) have not yet been installed, skip to step 2.

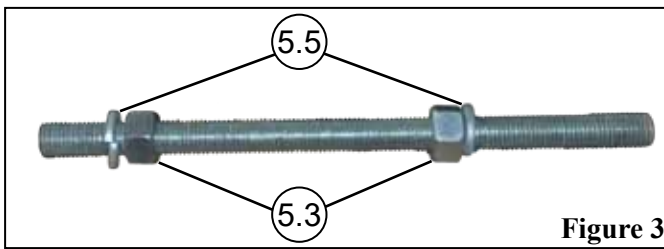
1. Remove the existing pin attachment brackets (C) and hardware (A and B) as shown in **Figure 1**.
Note: Hardware will be reused in a later step.



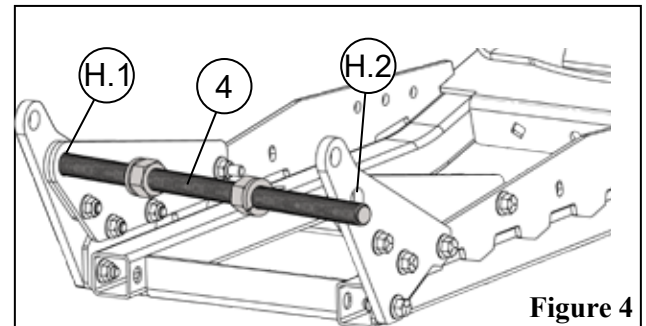
2. Assemble leveling ear (1) gusset (2) and spacer (3) in place of pin attachment brackets removed in step 1. Secure using hardware (A&B) reused from step 1, bolts (5.1, 5.6) and nuts (5.2, 5.7) as shown in **Figure 2**. **NOTE:** gusset (2) will be assembled on the inside of the tube.



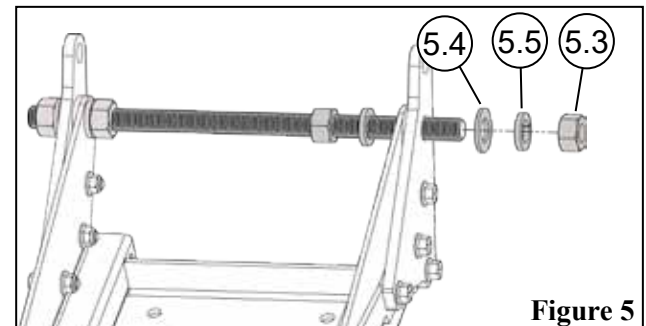
3. Assemble nuts (5.3) and lock washers (5.5) onto the threaded rod (4) as shown in **Figure 3**



4. Slide one end of threaded rod (4) into hole (H.1) at an angle as shown in **Figure 4**. Take the other end of the rod and slide it into hole (H.2).

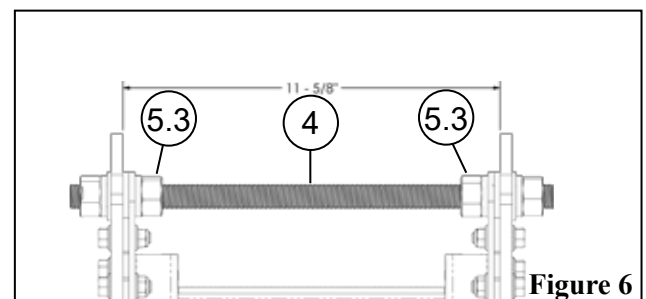


5. Assemble nuts (5.3) lock washer (5.5) and flat washer (5.4) to end of threaded rod as shown in **Figure 5**



6. Tighten inner nuts (5.3) and lock washers (5.5) outward against gusset (2) shown in **Figure 5**

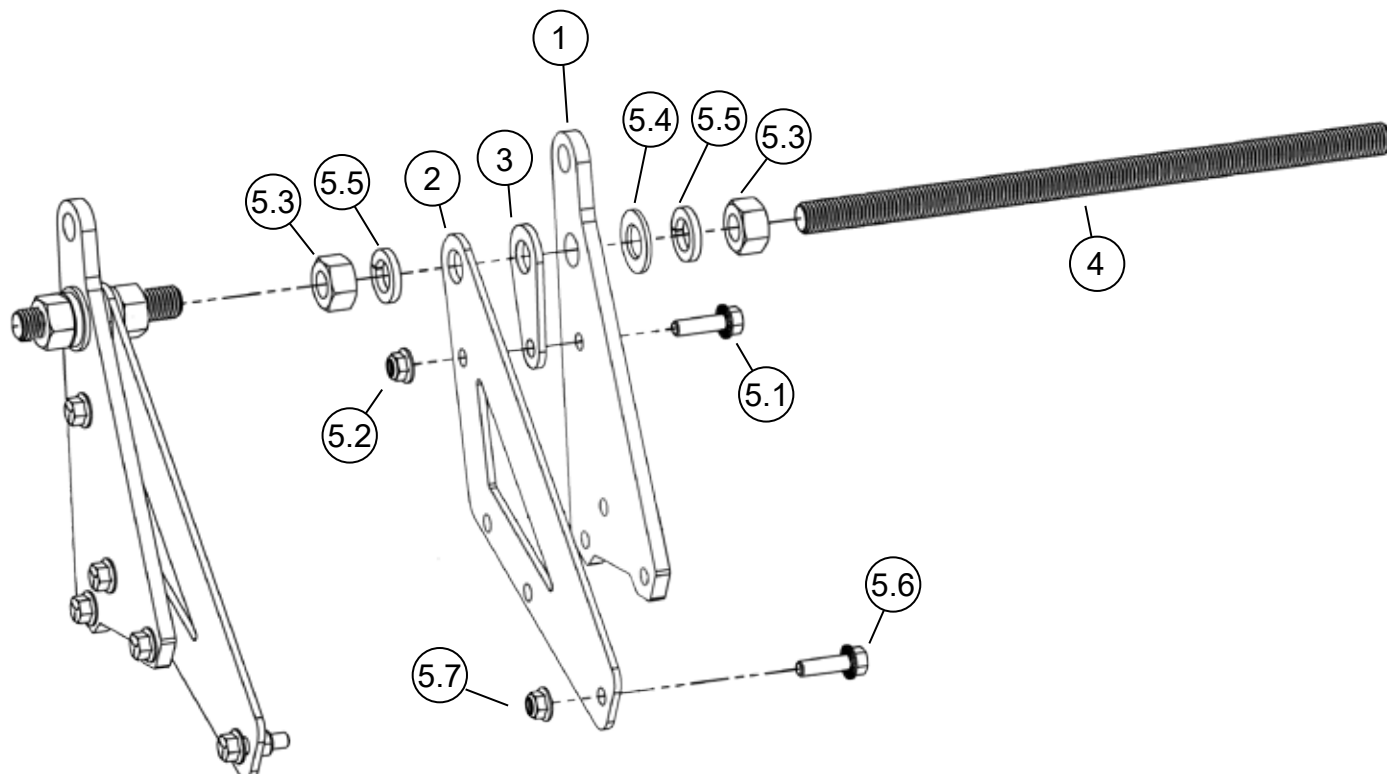
7. Adjust the leveling tab distance to 11-5/8" inside to inside by tightening or loosening nuts (5.3) on the threaded rod (4) as shown in **Figure 6**



SQ PUSH TUBE 6" LEVELING KIT

PLOW ACCESSORY

PART #106326



Item #	Qty.	Description
1	2	6" Push Tube Leveling Ear
2	2	6" Gusset Plate
3	2	Push Tube Extension Spacer
4	1	3/4" - 10 X 15" Threaded Rod
5	1	Hardware Kit (HK-397)
5.1	2	3/8"-16 x 1.25 Hex Bolt Flange

Item #	Qty.	Description
5.2	2	3/8"-16 Hex Flange Nylock Nut
5.3	4	3/4" Hex Nut
5.4	2	3/4" Flat Washer
5.5	4	3/4" Lock Washer
5.6	2	5/16"-18 X 1.00 Hex Bolt
5.7	2	5/16"-18 Hex Flange Nylock Nut

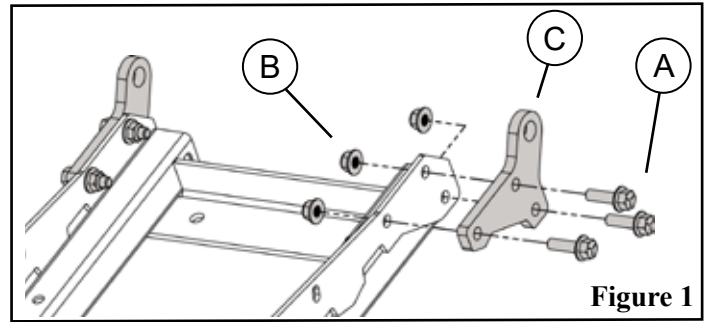


INSTALLATION INSTRUCTIONS

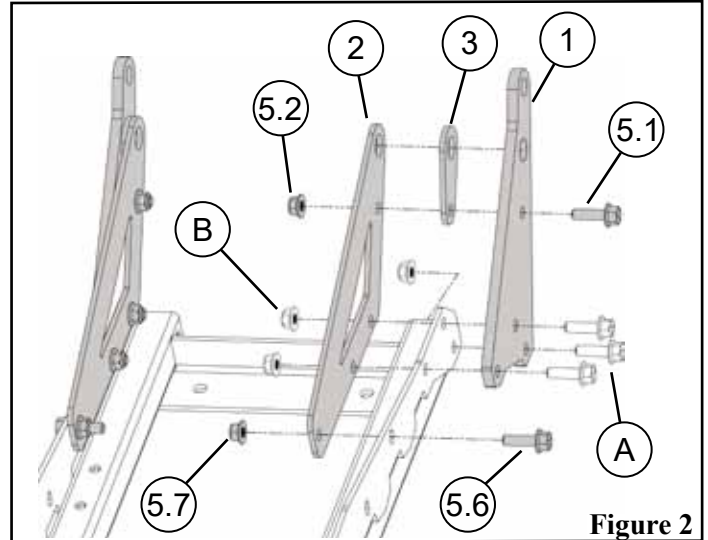
Note: Make sure all hardware needed to complete this mount is in the package. Thoroughly read through and understand the instructions before installing.

Note: If pin attachment brackets have not yet been installed, skip to step 2.

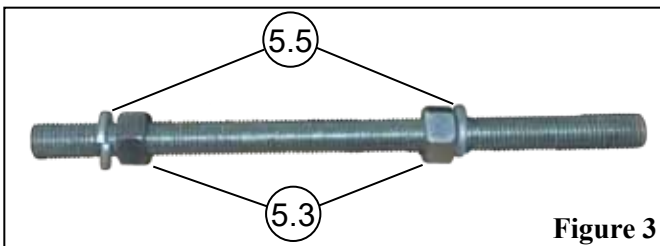
1. Remove the existing pin attachment brackets (C) and hardware (A and B) as shown in **Figure 1**.
Note: Hardware will be reused in a later step.



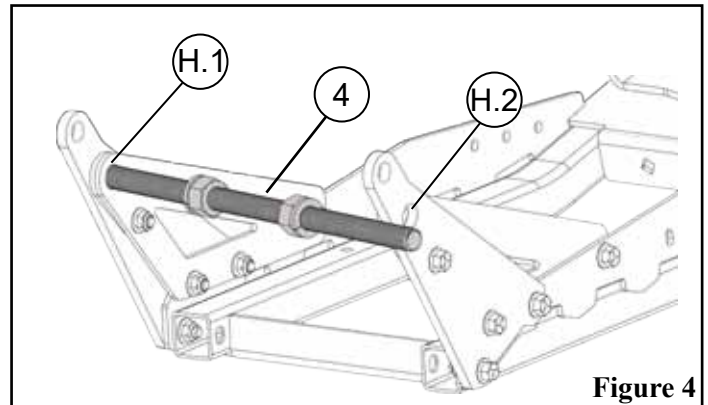
2. Assemble leveling ear (1) gusset (2) and spacer (3) in place of pin attachment brackets removed in step 1. Secure using hardware (A&B) reused from step 1, bolts (5.1, 5.6) and nuts (5.2, 5.7) as shown in **Figure 2**. **NOTE:** gusset (2) will be assembled on the inside of the tube.



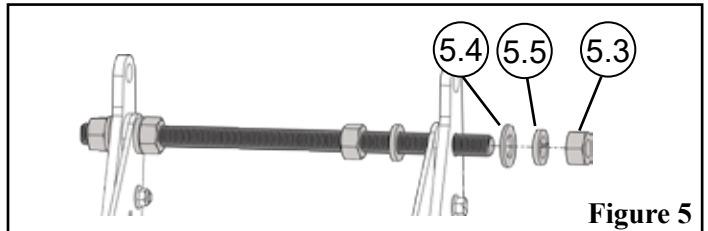
3. Assemble nuts (5.3) and lock washers (5.5) onto the threaded rod (4) as shown in **Figure 3**



4. Slide one end of threaded rod (4) into hole (H.1) at an angle as shown in **Figure 4**. Take the other end of the rod and slide it into hole (H.2).

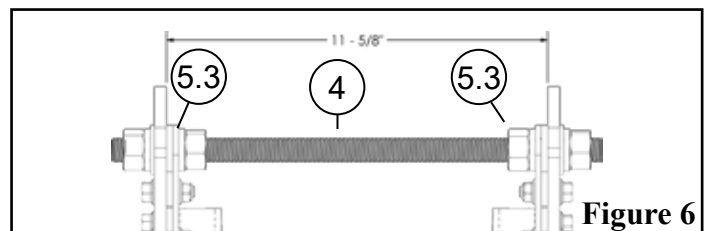


5. Assemble nuts (5.3) lock washer (5.5) and flat washer (5.4) to end of threaded rod as shown in **Figure 5**



6. Tighten inner nuts (5.3) and lock washers (5.5) outward against gusset (2) shown in **Figure 5**

7. Adjust the leveling tab distance to 11-5/8" inside to inside by tightening or loosening nuts (5.3) on the threaded rod (4) as shown in **Figure 6**



8. Tighten all hardware evenly.