



Custom Dynamics® Magical Wizard™ Indian® War Bonnet LED Light Kit Installation Instructions

We thank you for purchasing the Custom Dynamics® Magical Wizard™ Indian® War Bonnet LED Light Kit. Our products utilize the latest technology and high quality components to ensure you the most reliable service. We offer one of the best warranty programs in the industry and we back our products with excellent customer support, if you have questions before or during installation of this product please call Custom Dynamics® at 1(800) 382-1388.

Part Number: CD-IND-WB-WMZ

Package Contents:

- Magical Wizard™ 6 LED Light Strip (1)
- 3M Tape Primer (1)
- Multi-Conductive wire (5 feet)
- 4" Tie Wraps (16)
- Heat Shrink Tubing (4)
- MagicFLEX® Mounting Stick (4)

Required Item Sold Separately:

Magical Color Command Remote (CCM-5)

Optional Items Sold Separately:

- Indian Engine LED Accent Light Kit (CD-IND-TMWK1 or CD-IND-TMWK1BM)
- Indian Wheel LED Accent Light Kit (CD-IND-MWZ-WHEEL)
- Cage Clamp® (CG01) for wire connection (included w/lighting kits)
- Winter Kill Switch (SW01) to kill power to LED. (included w/lighting kits)
- Magical Wizard™ Install Kit (CD101-WZ)

Fits: Indian® Motorcycles With War Bonnet Installed on the Fender.

Installation:

1. Remove fender. Refer to your service manual for fender removal instructions.
2. Remove War Bonnet from the front fender by removing two 10mm nuts on the under side of fender.
3. Remove 3 Phillips head screws from the bottom of the War Bonnet housing.

Note: 2 longer screws are for each side and the shorter screw is for the back.

4. Remove the unserviceable (sealed) LED horseshoe puck housing from behind the War Bonnet lens.
5. Place one piece of provided heat shrink tubing over the red and black wires of the MagicFLEX2® LED strip. Using the provided 22 AWG wire, attach red wire to red wire and black wire to black wire by soldering or twisting the wires together. Slide the heat shrink for the Red wire over the connection and apply heat using a hair dryer or heat gun until heat shrink has shrunk around connection. Repeat process for the black wire.
6. Apply 3M® primer on the front of the LED horseshoe puck housing and allow to dry.
7. Remove the red protective tape from the back of the MagicFLEX2® LED and press into place.
8. Reassemble the War Bonnet Light and install on the fender.
9. Attach the MagicFLEX2® LED light strip wire harness to the War Bonnet wire harness with tie wraps.
10. Re-install the front fender. Refer to your service manual for fender installation instructions.
11. Continue routing the MagicFLEX2® LED light strip wire harness back to a central point near battery compartment under seat. Route wires such that they not interfere with normal operation of bike. Cut off any excess wires, strip back insulation as required.
12. Secure wires to the frame using some of the tie wraps provided.

Note: If installing with Indian Engine Accent Light Kit (M2EK1-IND), stop here and follow the wiring instructions for that kit.



ATTENTION

Please read all Information below before Installation

Safety: Always follow safe working practices including safety gear and the proper tools. Make sure the vehicle is cool enough to touch and secured on a level surface.

Note: Magical Wizard™ LEDs use the black wire for power and the colored wires for grounds. Please read instructions and diagrams before beginning installation.

Note: If the War Bonnet LED is to be illuminated as a running light, the positive wire will need to be connected to a running light circuit. If the War Bonnet LED is to be illuminated as an accent light, you must have an on off switch and a fusible link between the LED and the power source. See page 2 for wiring diagram.

Important: Disconnect negative battery cable from battery before installation; refer to owner's manual if unsure of this process. Failure to do so may result in electrical shock, injury, or fire. Secure negative battery cable away from positive side of battery and all other positive voltage sources on bike.



Strip wire 9-10 mm. Use wire gauge on bottom to verify.



Push Lever up and insert wire...



Then push down lever to its closed position.

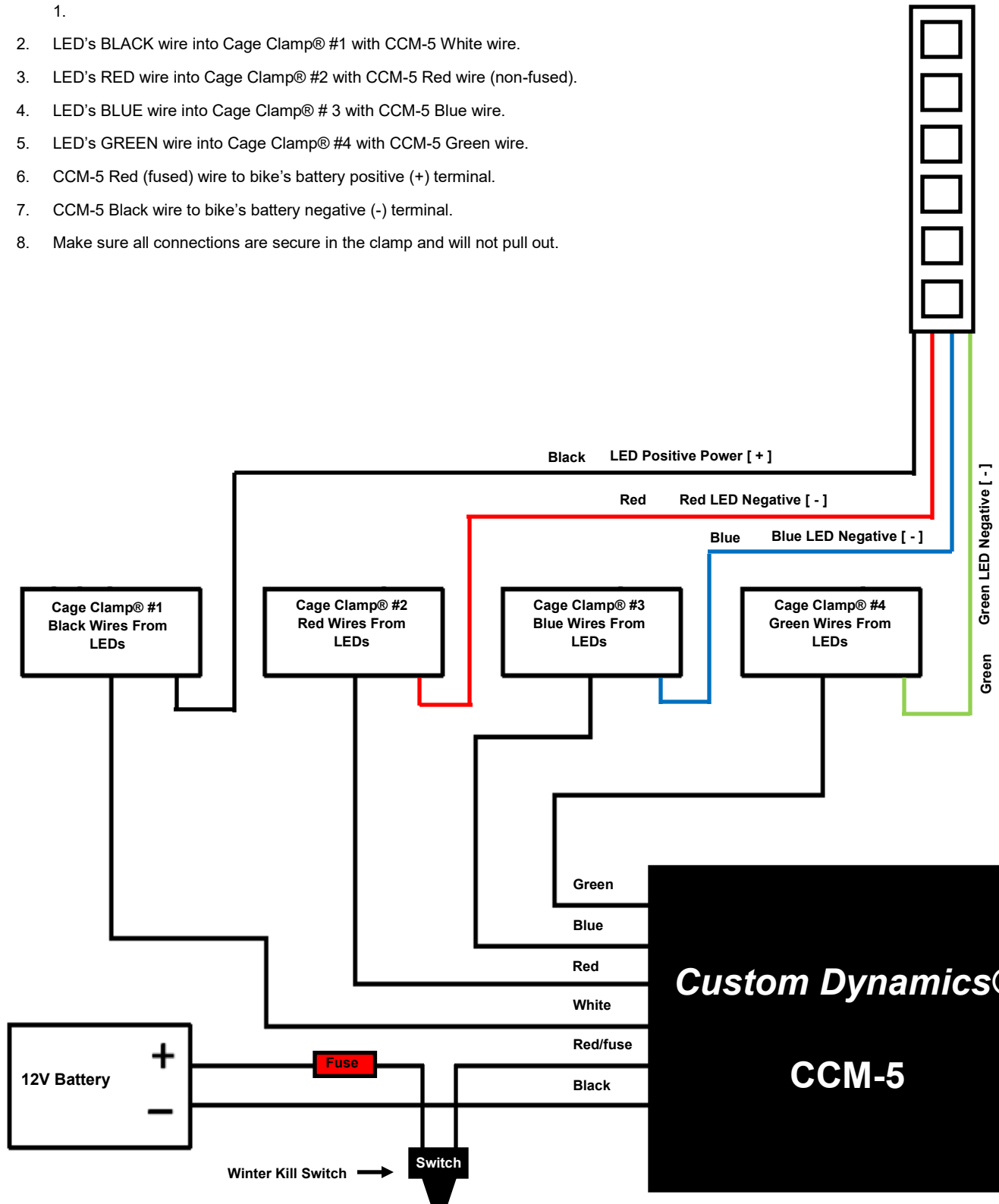
Questions? Call us at: 1 (800) 382-1388 M-TH 8:30AM-5:30PM / FR 9:30AM-5:30PM EST

Installation Instructions - Page 2

Wiring LED and CCM-5:

1. Using the (4) Cage Clamp® connectors (sold separately) or some other way of connection, label each clamp with a number 1 through 4. If you need instructions on how to use the Cage Clamps®, see instructions on page 1.
2. LED's BLACK wire into Cage Clamp® #1 with CCM-5 White wire.
3. LED's RED wire into Cage Clamp® #2 with CCM-5 Red wire (non-fused).
4. LED's BLUE wire into Cage Clamp® #3 with CCM-5 Blue wire.
5. LED's GREEN wire into Cage Clamp® #4 with CCM-5 Green wire.
6. CCM-5 Red (fused) wire to bike's battery positive (+) terminal.
7. CCM-5 Black wire to bike's battery negative (-) terminal.
8. Make sure all connections are secure in the clamp and will not pull out.

Magical Wizard™
War Bonnet LED



Questions? Call us at: 1 (800) 382-1388 M-TH 8:30AM-5:30PM / FR 9:30AM-5:30PM EST

Installation Instructions - Page 3

Installing the Weatherproof Kill Switch (SW01 sold separately)

NOTE: When the CCM remote has power, it will constantly search for a key fob signal. Long periods of down time, such as storing vehicle over the winter, will drain the battery. It is recommended you turn off power going to the remote using the weatherproof push button kill switch. Use the Diagram on page 2 for the exact location to install the switch.

12. Cut the Red power wire between the fuse holder and the harness connector, see the diagram on page 2.
13. Use butt splice or wire tap to connect the switch to the red wire on the connector side of the harness.
14. Use butt splice or wire tap to connect the other side of the switch to the fuse holder side of the harness.
15. Mount the switch in convenient location with the included double-sided tape. Prime the surface with the 3M® primer and allow to dry.

Finish and Test

16. Inspect all connections, make sure nothing is loose, frayed, pinched or cut. A direct short will prevent the unit and LED's from functioning properly.
17. Re-connect the Negative [-] cable to the battery, turn the vehicle power on and test function with the key fobs. See instructions that come with the CCM-5 for operating the Key Fobs.
18. Once the system has been tested, dress the wires with provided tie-wraps as needed. Make sure the receiver and wiring is tucked out of the way from any heat or moving parts.



Ensure there is enough clearance for the wiring and remote box underneath the seat without crushing or pinching any of the components or connections. This is very important! A frayed or pinched wire can short the entire lighting system.

Troubleshooting

This section will go over a few of the most common troubleshooting issues with the Magical Wizard™ LEDs and the CCM remote and give tips to help get your system up and running. If after you have tried any of these and still have issues, call Custom Dynamics® for technical support.

Symptom: Key Fob Light not coming on _____ Remedy: Check and replace key fob batteries

Symptom: Dim or pulsing blue light on key fob _____ Remedy: Check and replace key fob batteries

Symptom: Dim lights or lights not turning off completely _____ Remedy: Grounding issue - With process of elimination, trace back all LED wires checking for nicks or cuts in wires. If nothing is found, remove LED's 1 by 1 and test system function each time.

Symptom: Lights only get certain colors when on _____ Remedy: Inspect wires in all cage clamps, make sure all wires are pushed into sockets completely. Start with color you are not getting, red, green or blue.

Symptom: Lights not coming on, key fob lights up _____ Remedy 1: Inspect the wires in the cage clamps. Make sure red and black wires are pushed into the sockets all the way. Also double check connections at the battery.

Remedy 2: Check and or replace 7.5 amp in-line fuse.