

PRODUCT MANUAL

BEFORE YOU BEGIN

1. Read these instructions and check to be sure all parts and tools are accounted for.
2. Please retain these installation instructions for future reference and parts ordering information.

IMPORTANT

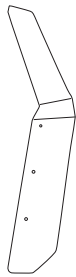
1. Please read the installation instructions carefully before you start.
2. If the vehicle is clean and free of other debris, it will be easy to install.
3. For your safety and to ensure a satisfactory installation, please complete all the installation steps in the order shown below.

PRODUCT INFORMATION

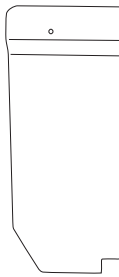
1 Front Left Fender Flare x1



2 Front Right Fender Flare x1



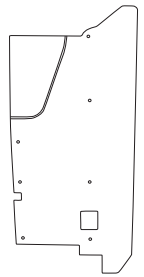
3 Rear Left Fender Flare x1



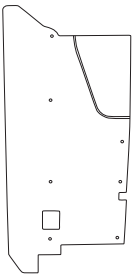
4 Rear Right Fender Flare x1



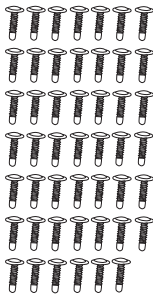
5 Left Dump Bed Mud Guard x1



6 Right Dump Bed Mud Guard x1



7 Self-tapping Screw x41



8 M6xL20 Screw x15



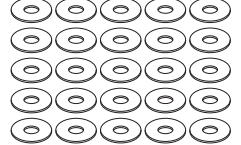
9 M6xL25 Screw x2



10 M6 Nut x2

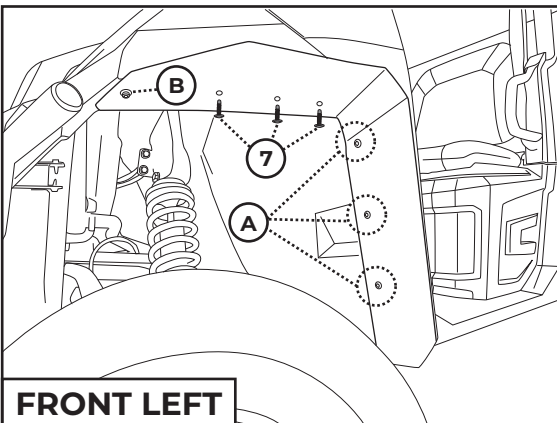


11 M6 Washer x30



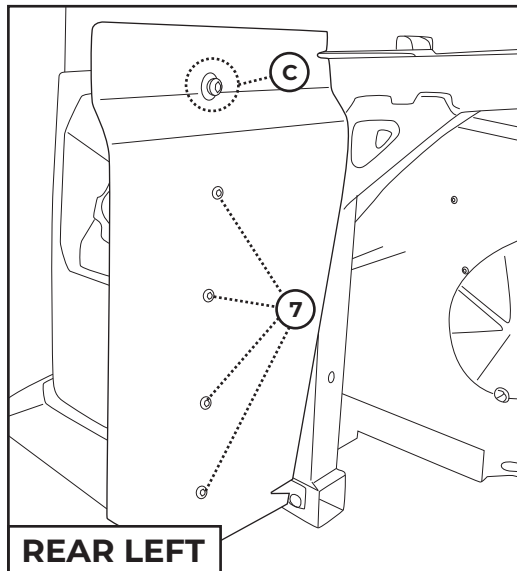
INSTALLATION TIPS

Front Fender Installation



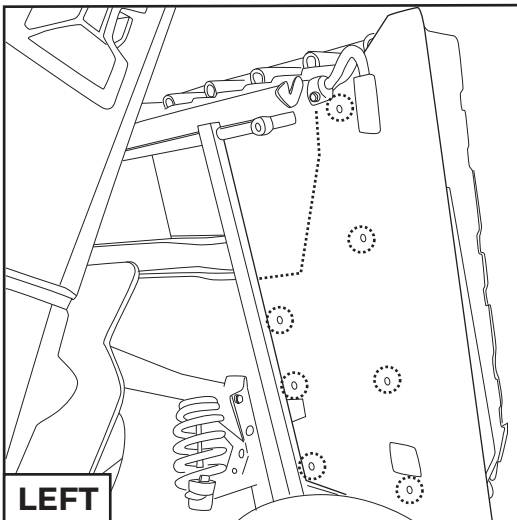
- 1** Remove three factory bolts [A].
- 2** Place front left fender flare [1] against the wheel well and reinstall the bolts [A].
- 3** Using a cordless drill and a Phillips bit, drive in three self-tapping screws [7] to secure the top of the fender [1].
- 4** Drill a hole [B] in the front of the fender [1] with a cordless drill and a 1/4" drill bit. Install one M6xL25 screw [9], two washers [11] and one nut [10] to the hole [B].
- 5** Repeat steps 1-4 to install front right fender flare [2].

Rear Fender Installation

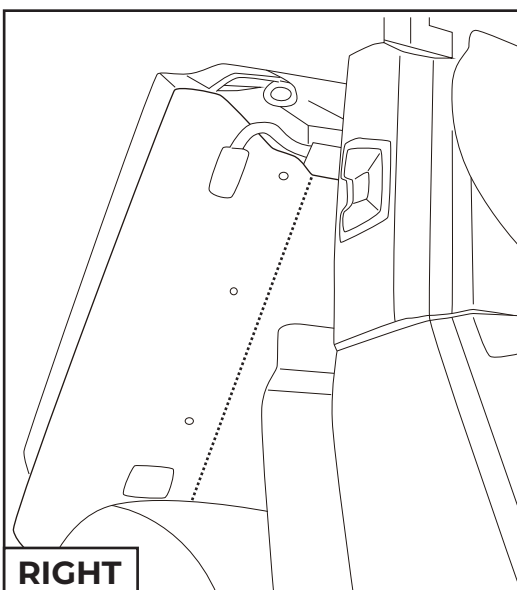


- 6 Release the bed latch to place the dump bed into the vertical position.
- 7 Remove factory bolt [C].
- 8 Place the rear left fender flare [3] against the rear rocker panel.
- 9 Reinstall the bolt [C] and add a washer [11].
- 10 Using a cordless drill and a Phillips bit, drive in four self-tapping screws [7] to secure the fender [3].
- 11 Repeat steps 7-10 to install rear right fender flare [4].

Dump Bed Panel Installation



- 12 Place the left dump bed mud guard [5] against the dump bed.
- 13 If there is an additional metal brace located where the dashed line is marked, you need to cut out this portion of the mud guard [5] or tuck it underneath to fit.
- 14 Install seven M6xL20 screws [8] and washers [11] to factory holes under the dump bed.



- 15 Repeat steps 12-14 to install right dump bed mud guard [6].

NOTE:

2016+ Ranger XP models should have a heat shield located underneath the passenger side dump bed (above the exhaust). You need to cut the mud guard [6] into two parts to fit as shown.